



BRAKE SYSTEMS

HIGH-CARBON
BRAKE DISC FOR THE
BMW X2 M35I

NEW

FIRST TO MARKET

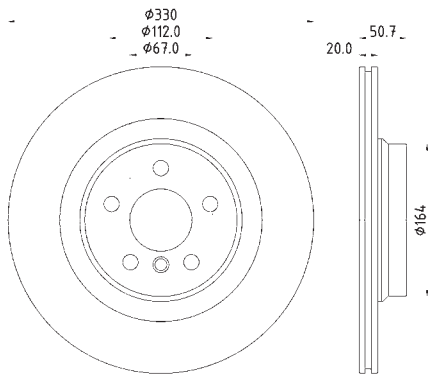


Hella Pagid Brake Systems is one of the leading providers of brake systems in the independent automotive aftermarket, supplying an extensive range of products. We are now also the first manufacturer in the market to offer our outstanding technology, meeting the toughest demands, for the BMW X2 M35i. Here, you'll find a brief overview of the relevant article numbers and models.

Long article number	Short article number	Product	Vehicle NEW / First-to-Market	Years of Production
8DD 355 132-301	56068PRO_HC	Brake Disc RA	BMW X2 M35i (F39)	11/18 –

RELIANCE. TRUST. PERFORMANCE.

HIGH-CARBON BRAKE DISC RA



An exceptionally wide range of more than 14,000 products in four areas – brake hydraulics, wearing parts, fluids & chemicals and accessories – sets HELLA PAGID apart.

All our products are notable for their high level of safety, comfort and durability. Almost 100 % of existing European vehicles are covered by HELLA PAGID brake pads and brake discs – a clear indication of our aspiration to achieve perfection and of the quality of our products.

And because safety is paramount in braking systems, we work hard to continually update our range of products, anticipating technological developments well in advance.

OE-Numbers:

34216799371; 6799371

BRAND	MODEL	YEARS OF PRODUCTION
BMW	X2 M35i (F39)	11/18 –
BMW	M 135i xDrive (F40)	07/19 –
BMW	M 235i xDrive Gran Coupé (F44)	11/19 –