



BRIEF INFORMATION

Heavy Tone Horn DL50 V2

- Optimized Gen-2 Horn in quality and reliability
- The most popular off-the-shelf horn for commercial vehicles
- No Bolted: Riveted assembly in production
- Marathon Test: Continuous sound beeping test for 30 minutes*

PRODUCT FEATURES



- Embedded HELLA logo as the symbol of Gen. 2
- Deep and penetrating warning signal sound
- Sound pressure level up to 114 dB(A)
- Continue improvement of durability and service life
- Riveted assembly increases horn quality and consistency

* Sample testing data in the laboratory.






TECHNICAL DETAILS

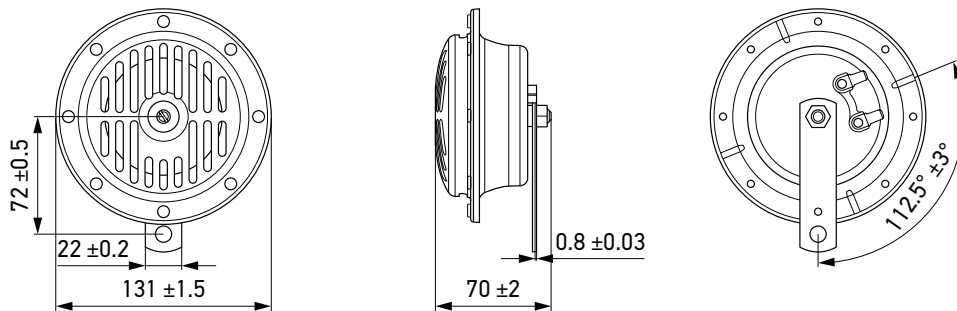
Technical specifications

Diameter	Volume	Audio frequency	Approval	Voltage
				
130 mm	114 dB (A) @ 2 m	310 / 380 Hz	ECE-R28	12 V / 24 V

Target groups

Bus	Truck	Construction vehicle	Off-Road
			

Technical drawing



PROGRAM OVERVIEW

Part Number	Rated voltage (V)	Frequency (Hz)	Drawing – connection	Housing colour	α : position of bracket ($\pm 5^\circ$), 0° = position electrical connection	Remarks
3CA 004 811-001	12	310	F	black	112°	-
3CA 004 811-011	12	380	F	black	112°	-
3CA 004 811-021	24	310	F	black	112°	-
3CA 004 811-031	24	380	F	black	112°	-
3CB 004 811-042	12	310 / 380	F	black	112°	Set
3CB 004 811-132	24	310 / 380	F	black	112°	Set