



BRIEF INFORMATION

LED auxiliary headlights Comet 200 LED

PRODUCT FEATURES

- For passenger cars, SUVs, transporters and motorhomes
- 159 mm high, including bracket, and only 71 mm deep, with a low weight of only 495 g (including fixing bracket and screws)
- This unmistakable design has a full-surface reflector and prominent "HELLA" lettering on the front
- Modern high-performance LEDs as an alternative to compact halogen auxiliary headlights
- Striking light design, matching the LED headlamps
- Effective heat dissipation from the LED electronics via the cooling ribs on the back of the housing
- Suitable for mounting upright
- The L-shaped fixing bracket enables the headlamp to be mounted in various positions – rotating it through 180° allows the headlamp to be placed further forward
- 12 V, low power consumption 13 W
- High beam with reference number 12.5, ECE approvals (E)-112-01 3965, SAE Y14 TF62 and CCC



CONTENTS OF PACKAGE

- Single headlamp with 1,200 mm 2-pole connecting lead (open ended)
- Fixing brackets
- Integral LED light sources

RANGE OVERVIEW

LED high-beam headlamp (ECE Ref. 12.5)
12 V

1F2 012 414-001

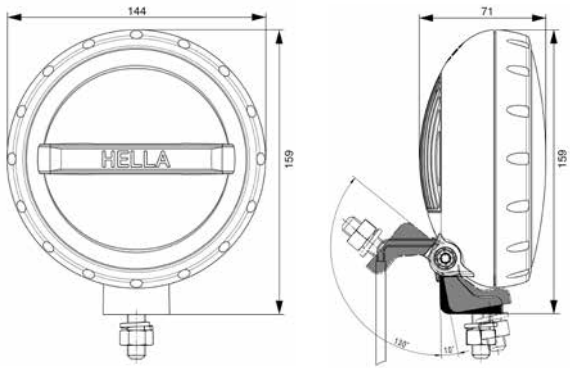
ACCESSORIES

Protective cap*

8XS 203 384-011

* In some countries, the law does not permit the use of protective caps. Before using these on public roads, please check with the appropriate government agency.

TECHNICAL DETAILS



Compact size

- Compact diameter: 144 mm
- Low height: 159 mm including bracket
- Low installed depth – ideal where space is tight: 71 mm

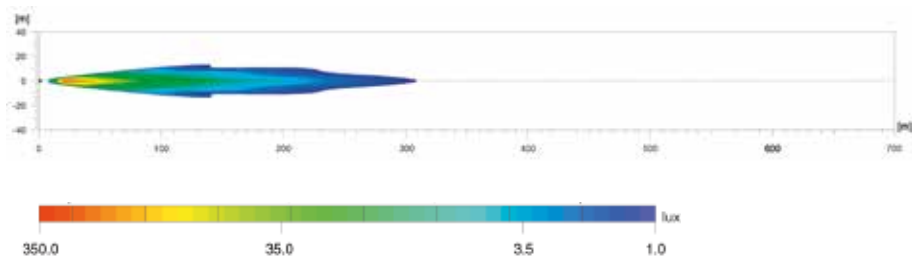
Suitable for mounting upright.



Unmistakable design



Installation example



Lux is the unit of illuminance.

It specifies the luminous flux emanating from the light source that strikes a specific surface. For example; an office workplace should be illuminated with at least 500 lux, and the human eye can still read a newspaper without any problems at 1 lux. The values under the lux bar indicate where the corresponding illuminance is achieved on the light distribution diagrams.

Reference no. (Ref.)

The reference number (Ref.) is a value which refers to the high-beam headlamp. According to the ECE regulations, this reference number must not exceed the upper limit of 100 per vehicle. In this case, the two values of the standard high beams (left and right main headlamps) are added to the values of other mounted high-beam headlamps. The value is entered on the lens of approved headlamps.



See the light!
Auxiliary headlights from HELLA. The right light for every application. Try them out online now!

www.hella.com/upc

www.hella.com/truck

www.hella.com/offroad

www.hella.com/eliver