



BRIEF INFORMATION

LEDayLine 15 and LEDayLine 30 daytime running lights with position light

- Daytime running lights with position light for horizontal flush-mounting
- Exceptionally compact design – suitable for curved bumpers*
- "Fit and forget" solution thanks to maintenance-free LEDs



PRODUCT BENEFITS

The LEDayLine 15 and 30 daytime running lights are set apart by their shallow depth, simple mounting and low energy consumption. Once the mounting frame has been secured to the vehicle front, the daytime running light simply "snaps" into the mounting frame fixture.

The new LEDayLine daytime running lights improve the recognisability of your vehicle and therefore your safety. Other road users can better estimate the distance to your vehicle and react faster. The difference between moving, stationary and turning vehicles is clearly visible, which also significantly reduces the risk of accidents at junctions.

* 2 versions for installation in different vehicle fronts.
LEDayLine 15: suitable for vehicles with a 15° angle at the installation location.
LEDayLine 30: suitable for vehicles with a 30° angle at the installation location.

TECHNICAL SPECIFICATIONS

- For horizontal flush-mounting
- 8 LEDs per daytime running light
- 2 versions for horizontal flush-mounting in different vehicle fronts:

LEDayLine 15: suitable for vehicles with a 15° angle at the installation location.

LEDayLine 30: suitable for vehicles with a 30° angle at the installation location.

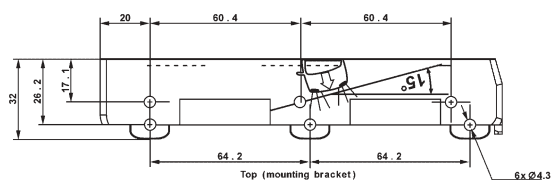
- 12 V and 24 V versions available
- Power output: 2 W
- ECE and SAE type approval

SCOPE OF DELIVERY

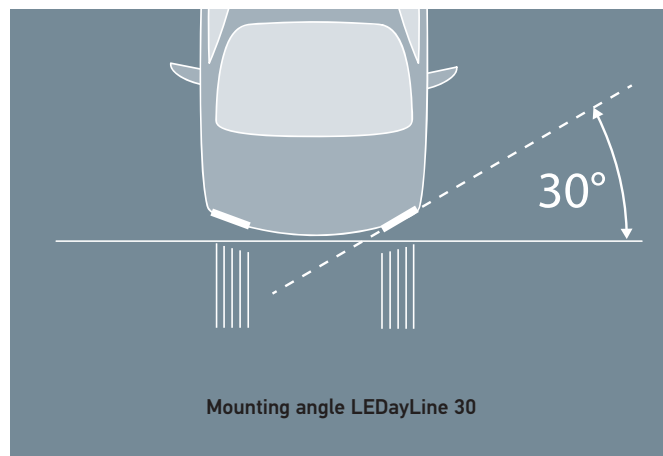
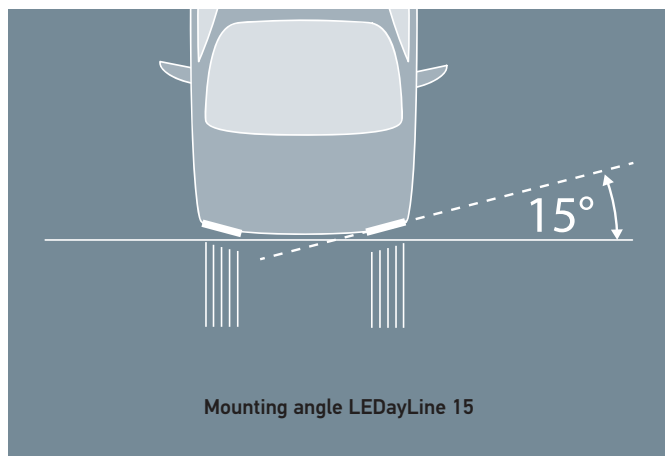
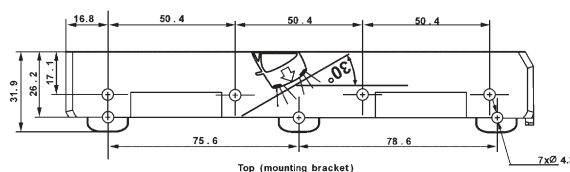
- Separate light modules
- Right/left brackets available as set
- Connecting cables with control unit available as a set

DIMENSIONS AND MOUNTING ANGLE

LEDayLine 15



LEDayLine 30



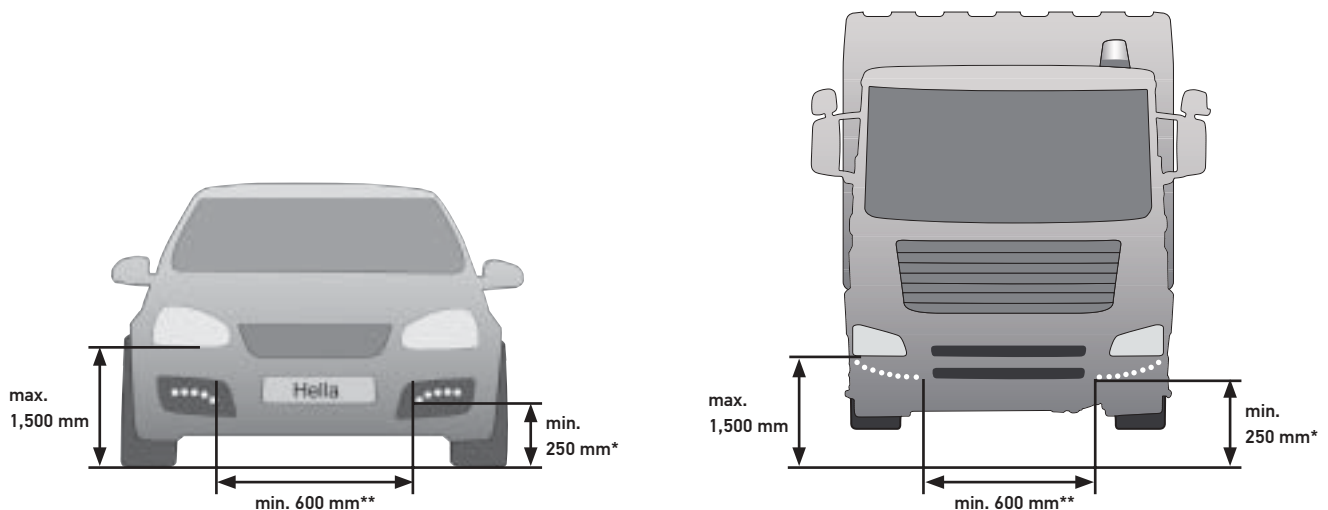
DESIGN EXAMPLES 15°



RANGE OVERVIEW

Product image	Description	Part number
LEDayLine 15		
Suitable for vehicles with a 15° angle at the installation location.		
		
Light module	Bracket	
	Light module daytime running light/position light 12 V	2PT 980 860-001
	Light module daytime running light/position light 24 V	2PT 980 860-501
	Brackets (set right/left)	8HG 980 864-101
LEDayLine 30		
Suitable for vehicles with a 30° angle at the installation location.		
		
Light module	Bracket	
	Light module daytime running light/position light 12 V	2PT 980 850-001
	Light module daytime running light/position light 24 V	2PT 980 850-501
	Brackets (set right/left)	8HG 980 854-101
Control units		
	12 V with connecting cables	8KA 959 186-801
	24 V with connecting cables	8KA 959 186-811

ATTACHMENT REGULATIONS



Legislation allows different attachment variations. However, the distances and beam angles to be adhered to are specified.

- * When used as a position light, the minimum attachment height must be 350 mm and the maximum distance from the outside edge must be 400 mm.
- ** For vehicles with a width of <1,300 mm, the spacing distance has to be at least 400 mm.
- When a daytime running light is used as a position light, the standard position light must be permanently disabled in accordance with ECE-R 48.
- For more information on legal stipulations and attachment regulations consult the internet or a qualified garage.
- See the relevant assembly instructions for more detailed information.

min. = minimum distance
max. = maximum distance

HELLA KGaA Hueck & Co.

Rixbecker Straße 75
59552 Lippstadt, Germany
Tel.: +49 2941 38-0
Fax: +49 2941 38-7133
Internet: www.hella.com

© HELLA KGaA Hueck & Co., Lippstadt
922 999 133-734 KB/02.13/0.8
Printed in Germany



For more information:
www.tagfahrlicht.de
www.daytime-running-light.com