



BRIEF INFORMATION

Super Tone Horn B133

- Traffic blaster, generates a penetrating strong tone
- Robust housing in a first-class design with striking grille
- Ideal for tough off-road use



PRODUCT FEATURES

- Effective sound
- Guaranteed brand quality
- Practice-proven service life

Special features

- Optional Teflon pill to protect against humidity
- High corrosion protection
- Rubber grommets for additional protection against water available
- Variants with additional interference suppression available
- GERMAN plug - optional



www.hella.com/horns

TECHNICAL DETAILS

Technical specifications

Diameter



123 mm

Volume



118 dB (A)
@ 2 m*

Audio frequency



300 / 375 /
500 Hz

Approval



ECE R28;
E 000414**

Voltage



12 V / 24 V

Target groups

Bus



Truck



Emergency Vehicle



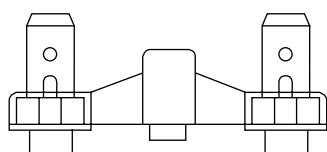
Off-Road



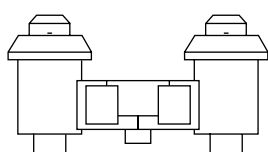
Passenger Car



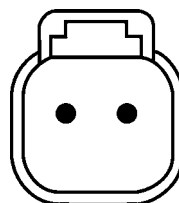
Technical drawing



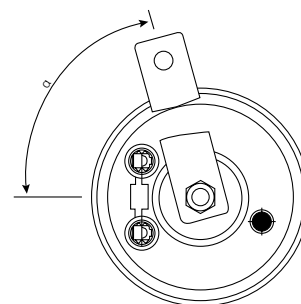
Drawing - connection A
6.3 mm flat plug, copper



Drawing - connection B
6.3 mm splashwater-proof
copper flat plug in conjunction
with rubber grommet
9GT 700 452-005



Drawing - connection E
Splashwater-proof
GERMAN plug DT 06-25



Drawing - bracket position
(exemplary representation)

* Design for priority road users: 110 dB (A) 3.5 m distance

** Design for priority road users: DIN B08 / CH 2098

PROGRAM OVERVIEW

Part Number	Rated voltage (V)	Frequency (Hz)	Drawing - connection	Teflon pill	Additional electrical interference suppression	Housing colour	α : position of bracket ($\pm 5^\circ$), 0° = position of electrical connection	Remarks
3AG 003 399-081	12	375 / 500	B	yes	Condenser	black	180°	Set, for priority road users as per DIN 14 610, rubber grommets provided
3AG 003 399-101	24	375 / 500	B	yes	Condenser	black	180°	Set, for priority road users as per DIN 14 610, rubber grommets provided
3AF 003 399-041	12	375	B	yes	Condenser	black	180°	for priority road users as per DIN 14 610, rubber grommets provided
3AF 003 399-051	12	500	B	yes	Condenser	black	180°	for priority road users as per DIN 14 610, rubber grommets provided
3AF 003 399-061	24	375	B	yes	Condenser	black	180°	for priority road users as per DIN 14 610, rubber grommets provided
3AF 003 399-071	24	500	B	yes	Condenser	black	180°	for priority road users as per DIN 14 610, rubber grommets provided
3AG 003 399-801	12	300 / 500	A	no	no	black	270°	Set with relay, red grille
3AF 003 399-327	24	375	B	yes	Condenser	black	180°	Rubber grommets provided
3AF 003 399-337	24	500	B	yes	Condenser	black	180°	Rubber grommets provided
3AF 003 399-347	24	375	E	no	Condenser	black	270°	-
3AF 003 399-357	24	500	E	no	Condenser	black	90°	-

HELLA KGaA Hueck & Co.

Rixbecker Straße 75
59552 Lippstadt, Germany
Tel.: +49 2941 38-0
Fax: +49 2941 38-7133
Internet: www.hella.com

© HELLA KGaA Hueck & Co., Lippstadt,
J00467/04.12
Subject to technical and price modifications