



BRIEF INFORMATION

Q90 LED compact

- Innovative compact worklight
- Corrosion-free and heat-conducting plastic housing
- Also available as reversing light

PRODUCT FEATURES

The Q90 LED compact is a robust worklight in a universal, attractive design. The innovative heat-conducting plastic housing also features cooling fins which ensure the required heat dissipation from the high-power LEDs. Along with weight reduction, the new material also offers the advantage of complete corrosion resistance.

The light output from the four high-power LEDs is an impressive 1,200 lumens. The light is distributed by a specially developed multi-faceted reflector, thus ensuring homogeneous illumination. The Q90 LED compact is perfect for close-range illumination. Its energy consumption is just 15 watts of power.

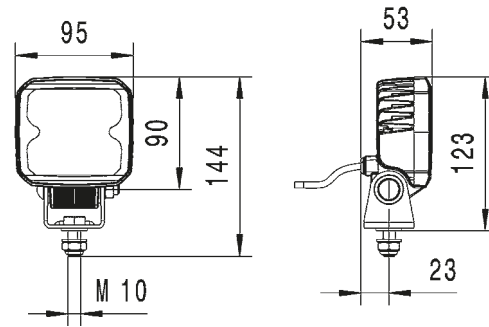
With a colour temperature of 6,500 Kelvin, the light from the LED worklight is very similar to daylight. This helps to distinguish colours more easily in the dark, and makes sensory perception through the human eyes much easier. In turn, this prevents the eyes from tiring quickly when working at night.

TECHNICAL DETAILS

Technical Data

Operating Voltage/ Rated Voltage	9–32 V
Recommended Tilt Angle	12°
Light Source Type	4 high-power LEDs
Power Consumption	15 W
Light Output	1,200 lm
Colour Temperature	Worklight: 6,500 Kelvin Reversing light: 5,000 Kelvin
Protection Class	IP 6K9K and IP 6K7
Type Approval	Ⓜ, ECE-R10
Housing	Thermally conductive plastic
Light Exit Area	90 x 90 mm
Weight	380 g

Dimensional sketch

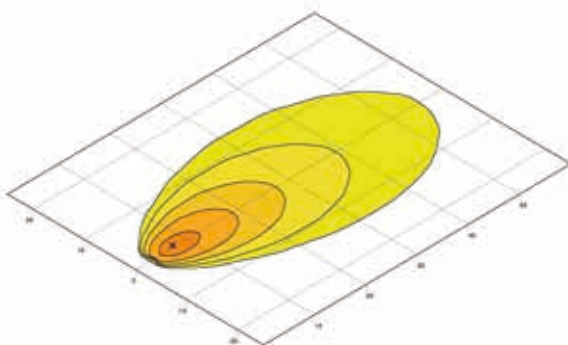


RANGE OVERVIEW

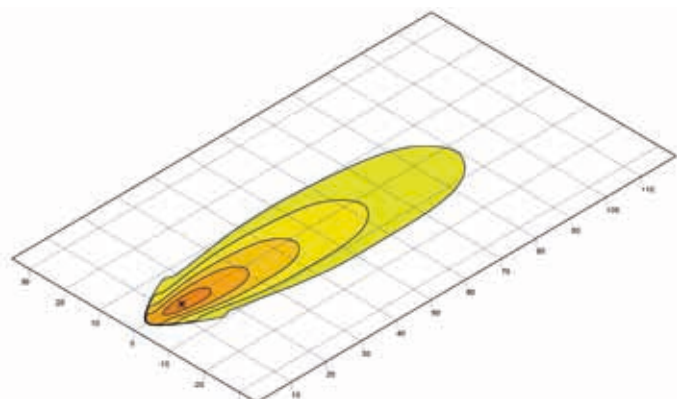
	Worklight 1GA 996 284-...				Reversing Light 2ZR 996 284-...	
	-001/-002*	-011/-012*	-081	-091	-501	-511
Close-range illumination	X	-	X	-	X	X
Long-range illumination	-	X	-	X	-	-
Mounting, upright	X	X	X	X	X	X
Mounting, pendant	X	X	X	X	X	X
Swivelling base/bracket width	42 mm	42 mm	42 mm	42 mm	42 mm	42 mm
DEUTSCH connector	-	-	X	X	-	X
Connection	500 mm cable	500 mm cable	150 mm cable + DT connector	150 mm cable + DT connector	2,000 mm cable	500 mm cable + DT connector
Overheating protection	X	X	X	X	X	X
Polarity reversal protection	X	X	X	X	X	X
ADR/GGVSEB approval	-	-	X	X	-	X
ECE-R23 Reversing light approval	-	-	-	-	X	X

* 4-colour packaging

LIGHT DISTRIBUTION



Close-range illumination



Long-range illumination

