



BRIEF INFORMATION

KL 7000 LED beacon

- Rotating or flashing LED light function
- Flat and compact design
- Simple conversion of existing versions
- Low current consumption, high efficiency

PRODUCT FEATURES

The KL 7000 LED from HELLA is a flat beacon that is available with a rotating or flashing light function. Active thermal management: The heat from the LEDs is removed by using heat-conducting materials and a special arrangement of components, which increases their service life. An innovative electronics concept makes a lighting function without moving parts possible. The impact and dirt-resistant dome guarantees an optimum warning effect at all times. The predecessor models KL 700 Halogen or KL 7000 Halogen can be easily converted to the KL 7000 LED. Three different installation options i.a.w. DIN 14620 and SAE ensure a solution for every application: Permanent installation from above or below (Ø 130 mm and Ø 150 mm), pipe socket and magnetic attachment.



Operating voltage 10 – 30 V



Polarity reversal protection – fully protects electronics, even if connecting leads are swapped round



IP 5K4K – protection against dust and splash water under high pressure



IP X9K - Resistant to high-pressure cleaners – protection against water during high pressure / steam cleaning



Flexible mounting – permanent installation is possible from above or below

TECHNICAL DETAILS

Technical data



Rated voltage (U_N)	Multi-voltage
Operating voltage (U_O)	10–30 V
Total current consumption Rotating Flashing	Approx. 0.8 A (12 V), approx. 0.4 A (24 V) Approx. 0.7 A (12 V), approx. 0.35 A (24 V)
Maximum power consumption Rotating Flashing	Approx. 9 W Approx. 12 W
Dome	PMMA
Operating position	Upright
Temperature range	-40 °C to +60 °C
Polarity reversal protection	yes
IP protection class	IP 5K4K, 9K

Type approval



Interference suppression (CISPR25) Power-controlled Class 5

Approval GGVSE /ADR
SAE J845 Klasse 2

Rotating light function:

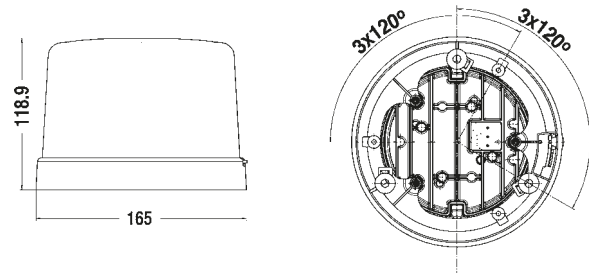
Lighting technology homologation, amber	TA1		R10 046194 R65 003397
Lighting technology homologation, blue	TB1		R10 046194 R65 003502

Flashing function:

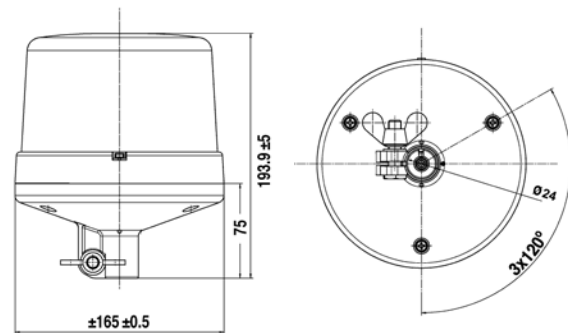
Lighting technology homologation, amber	TA1		R10 057696 R65 004186
Lighting technology homologation, blue	TB1		R10 057696 R65 004187

Dimensional sketches

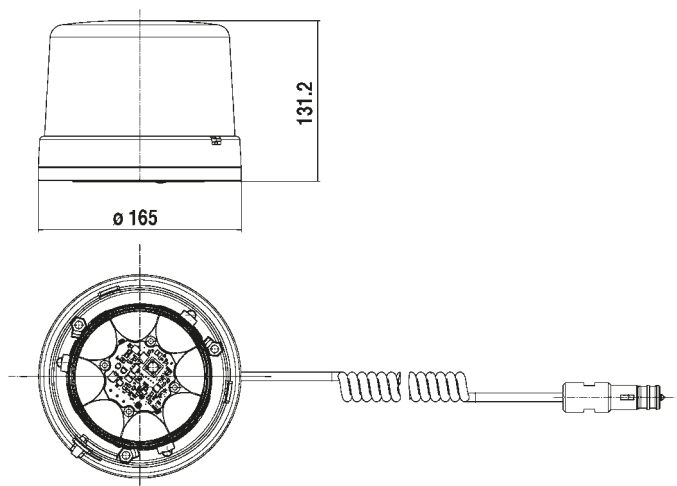
KL 7000 LED F



KL 7000 LED R



KL 7000 LED M



OVERVIEW OF RANGE



Product image	Article number, rotating	Article number, flashing	Description
	2RL 011 484-001	2XD 012 972-001	KL 7000 LED F beacon, amber
	2RL 011 484-101	2XD 012 972-101	KL 7000 LED F beacon, blue
	Available on request*	Available on request*	KL 7000 LED F beacon, red
	2RL 011 484-011	2XD 012 972-011	KL 7000 LED R beacon, amber
	2RL 011 484-111	2XD 012 972-111	KL 7000 LED R beacon, blue
	Available on request*	Available on request*	KL 7000 LED R beacon, red
	2RL 011 484-021	2XD 012 972-021	KL 7000 LED M beacon, amber
	2RL 011 484-121	2XD 012 972-121	KL 7000 LED M beacon, blue
	Available on request*	Available on request*	KL 7000 LED M beacon, red

* No ECE approval – Use only as far as permitted by legislation. Not approved for road traffic in Germany, Austria and Switzerland.

Accessories

9EL 190 025-001	Dome (PMMA), amber
9EL 190 025-011	Dome (PMMA), blue
9EL 190 025-021	Dome (PMMA), red

HELLA KGaA Hueck & Co.

Rixbecker Straße 75
59552 Lippstadt, Germany
Tel.: +49 2941 38-0
Fax: +49 2941 38-7133
Internet: www.hella.com

© HELLA KGaA Hueck & Co., Lippstadt
J01142/12.16

Subject to technical and price modifications.

APPLICATION EXAMPLE

