



BRIEF INFORMATION

Q90 LED compact

- Innovative compact worklight
- Corrosion-free and heat-conducting plastic housing
- Also available as reversing light

PRODUCT FEATURES

The Q90 LED compact is a robust worklight in a universal, attractive design. The innovative heat-conducting plastic housing also features cooling fins which ensure the required heat dissipation from the high-power LEDs. Along with weight reduction, the new material also offers the advantage of complete corrosion resistance.

The light output from the four high-power LEDs is an impressive 1,200 lumens. The light is distributed by a specially developed multi-faceted reflector, thus ensuring homogeneous illumination. The Q90 LED compact is perfect for close-range illumination. Its energy consumption is just 15 watts of power.

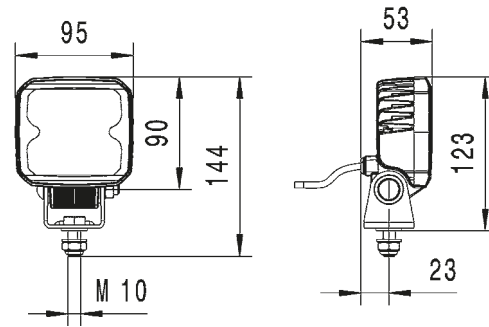
With a colour temperature of 6,500 Kelvin, the light from the LED worklight is very similar to daylight. This helps to distinguish colours more easily in the dark, and makes sensory perception through the human eyes much easier. In turn, this prevents the eyes from tiring quickly when working at night.

TECHNICAL DETAILS

Technical Data

| | |
|-------------------------------------|--|
| Operating Voltage/ Rated Voltage | 9–32 V |
| Recommended Tilt Angle | 12° |
| Light Source Type | 4 high-power LEDs |
| Power Consumption | 15 W |
| Light Output | 1,200 lm |
| Colour Temperature | Worklight: 6,500 Kelvin Reversing light: 5,000 Kelvin |
| Protection Class | IP 6K9K and IP 6K7 |
| Type Approval | Ⓔ, ECE-R10 |
| Housing | Thermally conductive plastic |
| Light Exit Area | 90 x 90 mm |
| Weight | 380 g |

Dimensional sketch

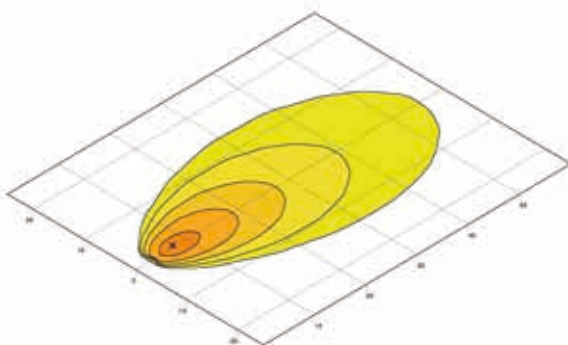


RANGE OVERVIEW

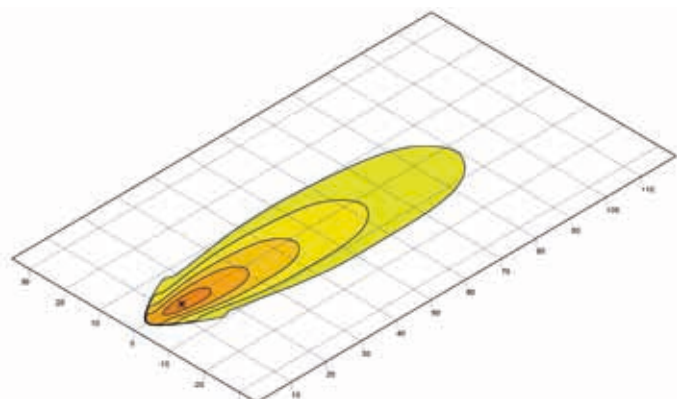
| | Worklight 1GA 996 284-... | | | | Reversing Light 2ZR 996 284-... | |
|-------------------------------------|------------------------------|--------------|--------------------------------|--------------------------------|------------------------------------|--------------------------------|
| | -001/-002* | -011/-012* | -081 | -091 | -501 | -511 |
| Close-range illumination | X | - | X | - | X | X |
| Long-range illumination | - | X | - | X | - | - |
| Mounting, upright | X | X | X | X | X | X |
| Mounting, pendant | X | X | X | X | X | X |
| Swivelling base/bracket width | 42 mm | 42 mm | 42 mm | 42 mm | 42 mm | 42 mm |
| DEUTSCH connector | - | - | X | X | - | X |
| Connection | 500 mm cable | 500 mm cable | 150 mm cable + DT connector | 150 mm cable + DT connector | 2,000 mm cable | 500 mm cable + DT connector |
| Overheating protection | X | X | X | X | X | X |
| Polarity reversal protection | X | X | X | X | X | X |
| ADR/GGVSEB approval | - | - | X | X | - | X |
| ECE-R23 Reversing light approval | - | - | - | - | X | X |

* 4-colour packaging

LIGHT DISTRIBUTION



Close-range illumination



Long-range illumination

