



BRIEF INFORMATION

Reverse and warning alarm BM10 and BM30

- Penetrating, long-range alarm sound
- Glass-filled nylon housing with integrated mounting bracket (BM30)
- Insulated electronics with epoxy to protect against rust, moisture and vibrations
- Various options of sound pressure level for urban and construction environment
- Optionally available with automatic adjustment to environments with changing sound levels

PRODUCT FEATURES

Application

The reverse alarm is an indispensable element in high-risk work environments and can actively prevent accidents with its high frequency alarm. It gives commercial vehicles additional safety when maneuvering and reversing.

In some countries, regulations require the installation of a reverse alarm when motor vehicles are obstructed to the rear. The vehicle must have an audible reverse alarm above the surrounding noise level. Many of the regulations require a sound level higher than 90 dB.

Design and function

The reverse warning emits a warning tone as soon as reverse gear is engaged. This is how it warns other road users about the reversing vehicle.

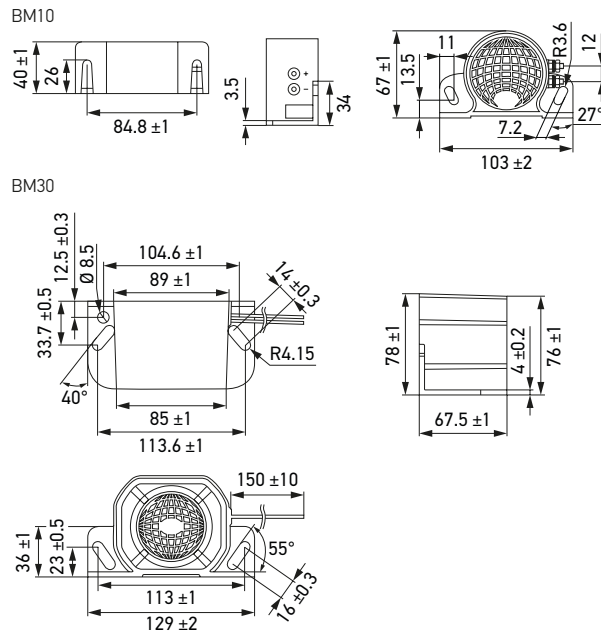
Reversing alarms are available in different volume levels depending on the application. For example, reversing alarms with a signal volume of approx. 90 dB are used on typical city delivery vehicles and back alarms with a volume of more than 100 dB are used on construction sites where there is very high ambient noise. A reversing alarm that is 3 dB louder than another one already has twice the volume.

TECHNICAL DETAILS

Technical data

Nominal voltage	12–48 V
Frequency range	700–2,800 Hz
Sound pressure level @ 1.2 m	Fixed / Smart adjustable
Power consumption	12 W
Current consumption	0.6 A Max.
Operating temperature	-40°C to +85°C
Protection class	IP 67
Service life	100 hours (SAE J994)
Housing material	BM10: ABS BM30: Glass-filled nylon
Type approval and Standards	ECE-R10 SAE J994

Technical Drawing





Pin Assignment

DEUTSCH connector DT 04-2P



Plus (+) Minus (-)

OVERVIEW OF VARIANTS

Product	Connector	Sound pressure level @ 1.2 m	Part number	Packaging unit*
BM10: Ideal for light commercial vehicles				
	with 2 bolt	97 dB(A)	3SL 009 148-177	50
	with 2 bolt	107 dB(A)	3SL 009 148-187	50
	with 140 mm cable and DEUTSCH connector	97 dB(A)	3SL 009 148-197	50
	with 140 mm cable and DEUTSCH connector	107 dB(A)	3SL 009 148-207	50
BM30: Ideal for heavy duty commercial vehicles, automatic adjustment to environmental sound levels				
	with 150 mm cable	97 dB(A)	3SL 996 139-217	36
	with 150 mm cable	107 dB(A)	3SL 996 139-227	36
	with 150 mm cable	112 dB(A)	3SL 996 139-237	36
	with 140 mm cable and DEUTSCH connector	107 dB(A)	3SL 996 139-247	36
	with 140 mm cable and DEUTSCH connector	112 dB(A)	3SL 996 139-257	36
	with 150 mm cable	87–112 dB(A)	3SL 996 139-267	36
	with 140 mm cable and DEUTSCH connector	87–112 dB(A)	3SL 996 139-277	36

* Single packaging on request.