



## BRIEF INFORMATION

### Heavy Tone Horn DL50

- Deep, penetrating tone
- Solid, black varnished housing
- Sturdy protective grille
- Extremely hard-wearing

## PRODUCT FEATURES

- Effective sound
- Guaranteed brand quality
- Practice-proven service life

### Special features

- Signal horn
- ECE- and CCC-compliant
- Bolted on grating
- Corrosion protection



[www.hella.com/horns](http://www.hella.com/horns)

# TECHNICAL DETAILS

## Technical specifications

Diameter



130 mm

Volume



114 dB (A)  
@ 2 m

Audio frequency



310 / 380 Hz

Approval



ECE R28;  
E 01004; CCC

Voltage



12 V / 24 V

## Target groups

Bus



Truck



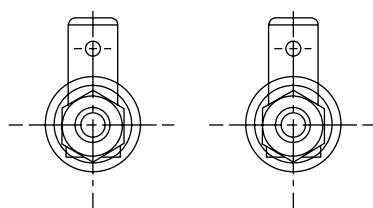
Construction vehicle



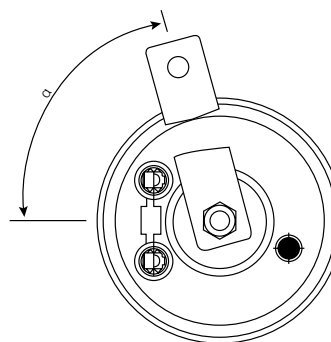
Off-road



## Technical drawing



**Drawing - connection F**  
6.3 mm flat plug, brass



**Drawing - bracket position**  
(exemplary representation)

# PROGRAM OVERVIEW

Part Number	Rated voltage (V)	Frequency (Hz)	Drawing - connection	Housing colour	$\alpha$ : position of bracket ( $\pm 5^\circ$ ), $0^\circ$ = position electrical connection	Remarks
3CB 004 811-042	12	310/ 380	F	black	180°	Set
3CA 004 811-001	12	310	F	black	180°	-
3CA 004 811-011	12	380	F	black	180°	-
3CA 004 811-021	24	310	F	black	180°	-
3CA 004 811-031	24	380	F	black	180°	-

**HELLA KGaA Hueck & Co.**

Rixbecker Straße 75  
59552 Lippstadt, Germany  
Tel.: +49 2941 38-0  
Fax: +49 2941 38-7133  
Internet: [www.hella.com](http://www.hella.com)

© HELLA KGaA Hueck & Co., Lippstadt, J00479/05.12  
Subject to technical and price modifications