



BRIEF INFORMATION

Strong Tone Horn Set S90

- Fully shaped oscillator for optimum sound propagation
- Optimum ratio of size and performance
- Slim, matt black design with a red membrane



PRODUCT FEATURES

- Effective sound
- Guaranteed brand quality
- Practice-proven service life



www.hella.com/horns

TECHNICAL DETAILS

Technical specifications

Diameter



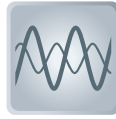
90 mm

Volume



113 dB (A)
@ 2 m

Audio frequency



350 / 415 Hz

Approval



ECE R28

Voltage



12 V

Target groups

Scooter



Motorbike



Small Car



Saloon



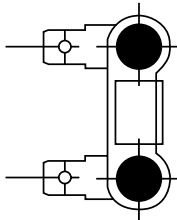
Agricultural machinery



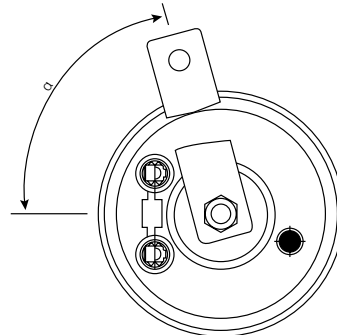
Forklift truck



Technical drawing



Drawing - connection H
6.3 mm flat plug, tin-plated



Drawing - bracket position
(exemplary representation)

PROGRAM OVERVIEW

Part Number	Rated voltage (V)	Frequency (Hz)	Drawing - connection	Teflon pill	Housing colour	α : position of bracket ($\pm 5^\circ$), 0° = position of electrical connection	Remarks
3AM 922 000-971	12	350 Hz / 415	H	-	black	90°	Set