

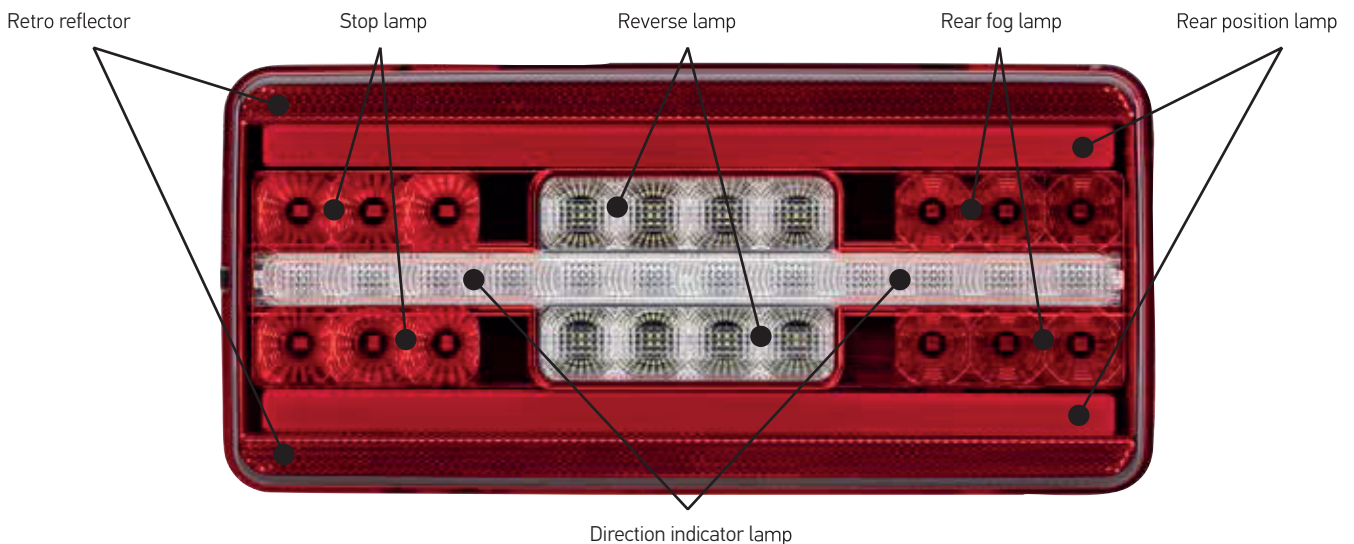


# PRODUCT NEWS

## Compact LED rear lamp 328 630

- Rear lamp with 6 signal functions in LED technology
- With rear position lamp in "Glowing Body" technology for particularly homogeneous illumination and with dynamic direction indicator lamp
- Robust and compact design

### LAMP FUNCTIONS

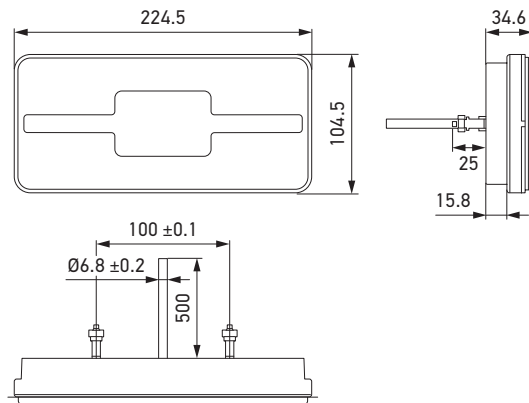


# TECHNICAL DETAILS



Technical data			
Operating voltage	Multi-voltage (12 / 24 V DC)		
Voltage range		<b>12 V</b>	<b>24 V</b>
	Rear position-stop-direction indicator-reverse lamp	9–16 V	18–32 V
	Rear fog lamp	10.5–16V	18–32 V
Current consumption		<b>13.5 V</b>	<b>28 V</b>
	Rear position lamp	min. 131 mA max. 220 mA	min. 80 mA max. 128 mA
	Stop lamp	min. 91 mA max. 122 mA	min. 59 mA max. 77 mA
	Direction indicator lamp	min. 213 mA max. 320 mA	min. 120 mA max. 176 mA
	Reverse lamp	min. 194 mA max. 276 mA	min. 106 mA max. 150 mA
	Rear fog lamp	min. 139 mA max. 207 mA	min. 81 mA max. 118 mA
Lamp function	Rear position lamp, stop lamp, direction indicator lamp, reverse lamp, rear fog lamp and retro reflectors		
Light source	Rear position lamp: 30 LEDs Stop lamp: 6 LEDs Direction indicator lamp: 12 LEDs Reverse lamp: 8 LEDs Rear fog lamp: 6 LEDs		
Material	External lens: Polycarbonate		
Weight	420 g		
Protection class	IP 6K9K		
Type approval	ECE-R148, ECE-R150, ADR		
EMC protection	ECE-R10		
Connection	500 mm cable with open ends		
Mechanical connection	2 x M6 stud bolt (length: 25 mm / distance: 100 mm)		

## Dimensional sketch



Tail lamp



Stop lamp



Reverse lamp



Rear fog lamp



Direction indicator lamp

Product image	Version	Mounting side	Direction indicator light	Connector type	Part number
	Horizontal	Right and left*	Wiping	Open ends	<b>2VP 328 630-011</b>
	Vertical	Right and left	Flashing	Open ends	<b>2VP 328 630-021</b>

\* The lamp can be rotated 180°, making it suitable for left and right surface mounting.