



BRIEF INFORMATION

K-LED QUADRA Beacon: Setting New Standards in Safety and Performance

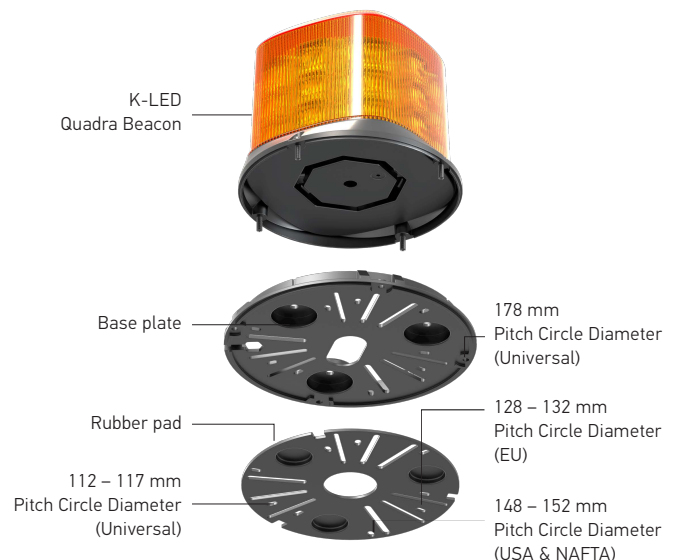
- Innovative QUADRA design inspired by the seamless fusion of geometric contours and smoothly radiused corners, creating an aerodynamic appearance.
- Unique design available in five different colours and two dual colour options, offering unmatched versatility and style to suit any fleet or application.
- Robust build quality and flexible mounting options make this warning device a compelling choice for customers.

PRODUCT FEATURES

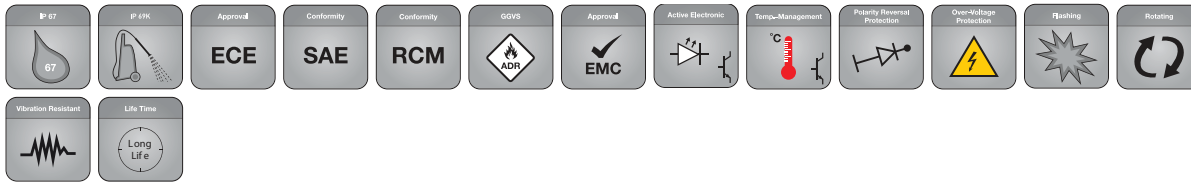
The New HELLA K-LED QUADRA breaks conventional design and sets a new trend in styling, functionality, features and mounting of warning devices.

Designed to meet the demands of today's commercial vehicles, emergency fleets, construction machinery, agricultural and Mining equipment, the beacon blends bold design with robust performance.

The build quality is unparalleled with a vibration resistance of 9.6G enabled by a robust aluminium base for effective heat dissipation coupled with strong polycarbonate lens. The versatile mounting options makes it a unique offering across the world making it a compelling choice for retrofitting, replacing or standardization across fleets.



TECHNICAL DETAILS



Technical data

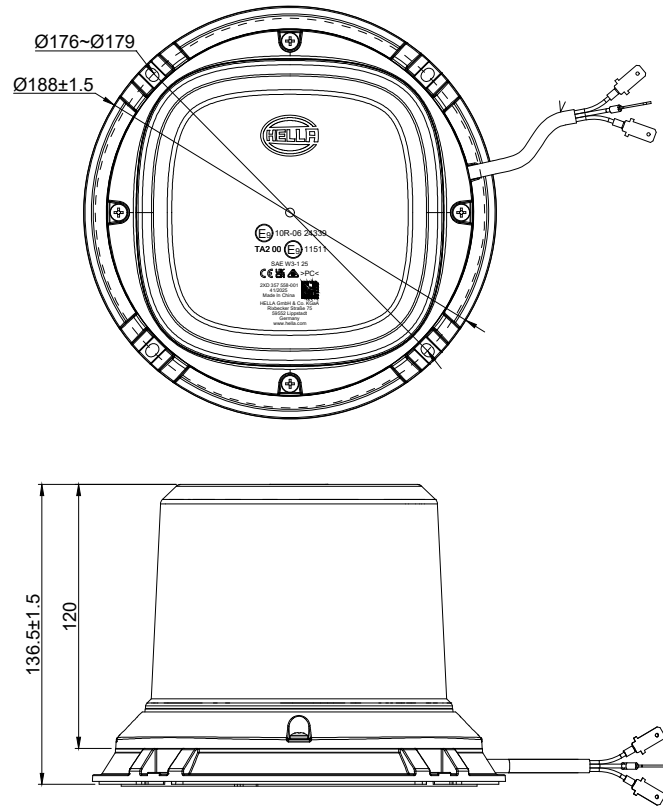
Operating voltage range	Multi-voltage (10–30 V)
Rated Voltage	12 V / 24V
Power consumption	48 W
Light function	Double Flashing, Rotating & Steady ON*
Flash rate	125 FPM
Number of LEDs	48
Material	Base: Aluminium Mounting Plate: Polycarbonate Lens: Polycarbonate
Weight	1,418 g
Temperature range	-40 to +60 °C
Protection class	IP 67, IP 69K
Approved	ECE-R10, ECE-R65**, ADR / GGVSEB, SAE J845 Class 1***
EMC	CISPR 25 Class 5
Compliant	RCM, CE, UKCA
Cable Length	300 mm open ended
Protection	Polarity reversal protection, overvoltage protection

*Steady ON not available in Dual colour options

**Not available for Green & White colour options

***Green variant is SAE J845 Class 3

Dimensional sketch



PROGRAM OVERVIEW

Product picture	Light colour	Mounting type	Function	Part number	VPE*
	Amber	Fixed surface mounting	Double Flash, Rotating and Steady ON	2XD 357 558-001	1
	Blue			2XD 357 558-101	1
	Red			2XD 357 558-201	1
	Green			2XD 357 558-301	1
	White			2XD 357 558-401	1
	Amber / Green		2XD 357 558-501	Double Flash and Rotating	1
	Amber / Blue		2XD 357 558-601	1	

*Packaging unit (Content of the box: One beacon, one flat rubber, one nylon base plate, screws)