



BRIEF INFORMATION

Strong Tone Horn S90

- Fully shaped oscillator for optimum sound propagation
- Black surface
- Optimum ratio of size and performance
- Slim, matt black design



PRODUCT FEATURES

- Effective sound
- Guaranteed brand quality
- Practice-proven service life

Special features

- Teflon pill to protect against humidity
- GERMAN plug - optional
- Corrosion protection



www.hella.com/horns

TECHNICAL DETAILS

Technical specifications

Diameter



90 mm

Volume



113 dB (A)
@ 2 m

Audio frequency



350 / 415 Hz

Approval



ECE R28

Voltage



12 V

Target groups

Agricultural machinery



Off-road



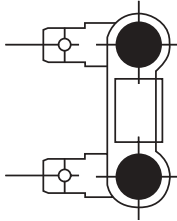
Small car



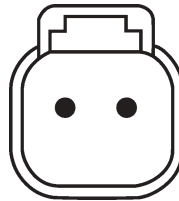
Motorbike



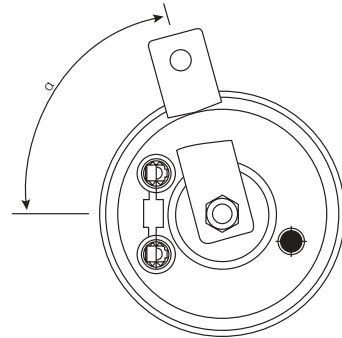
Technical drawing



Drawing - connection H
6.3 mm flat plug, nickel-plated



Drawing - connection E
Splashwater-proof
GERMAN plug DT 06-25



Drawing - bracket position
(exemplary representation)

PROGRAM OVERVIEW

Part Number	Rated voltage (V)	Frequency (Hz)	Drawing - connection	Teflon pill	Housing colour	α : position of bracket ($\pm 5^\circ$), 0° = position of electrical connection
3AL 922 200-161	12	415	H	yes	black	255°
3AL 922 200-431	12	350	H	yes	black	310°
3AL 922 200-761	12	350	E	yes	black	270°