



- LED licence plate light in 12 V and 24 V versions
- Flush-mounting or surface-mounting variants
- Long service-life with low current consumption

### Product features



#### Surface-mounting variant - only one light per licence plate

The classic surface-mounting variant for trailer applications is achieved by using a housing. Thanks to the optimum light output, only one light mounted at the side is required per licence plate (520 mm).

#### Flush-mounting variants

In view of the attractive flat design, straightforward flush mounting above the licence plate is always possible. 2 LED licence plate lights are required for the homogeneous illumination of the licence plate

#### Power LEDs with long service life

Optimum light output on account of the combination of 4 Power LEDs and precision lenses. Service life greater than 30,000 hours. Replacement is not necessary during vehicle service life.

#### Extremely low energy consumption

With regard to the use of Power LEDs, less energy is required for better light output.

#### High dust and water resistance

The high protection class IP 6K9K is guaranteed thanks to the high quality casting technology employed.

#### Replacement possibility

The tried-and-trusted Hella bulb-based licence plate light 2KA 005 049 can be replaced by the new LED flush-mounting variant.

#### Product variants

We cover the majority of licence plates used in the ECE approval area. The only exception so far is the green 165-sized plate.



# LED lighting technology

As a leader in innovation in the field of automotive original equipment, Hella sets standards with single and multi-function lights through LED lighting technology.

Here are the advantages of modern LED lighting technology at a glance:

## Extremely low energy consumption

Through the combination of efficient light-emitting diodes (LEDs) and precision optics, our lights achieve the legally prescribed light distribution - and do so using 90% less power in comparison with bulb-based lights!

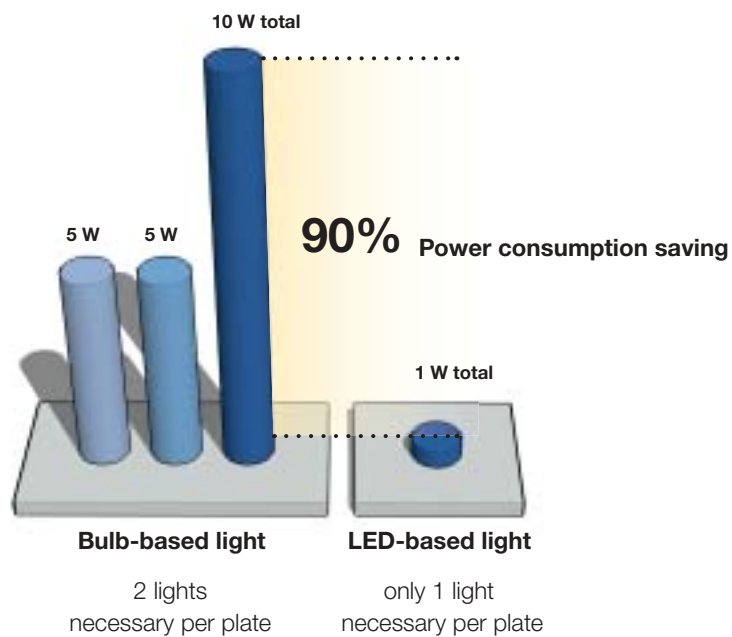
**No light-source replacement, no maintenance and an extremely long service life.**

LEDs are semi-conductor components, which means they do not have a fragile filament. In addition, LEDs are completely resistant to impact and vibration. This guarantees lighting and safety in every situation. Furthermore, the service life of LEDs is approx. 30,000 operating hours, depending on the ambient temperatures, and thus exceeds the vehicle's lifetime.

## Performance comparison between bulb-based and LED-based light

Example:

**Side** licence plate lighting for 520 x 120 mm licence plate.



## An overview of the advantages of Hella LED technology:



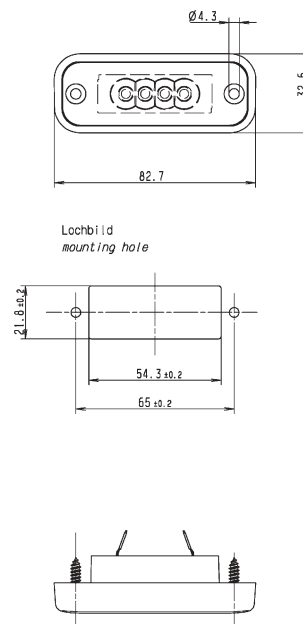
# Technical details

Technical data	
Type approval	Plate 520 x 120 ECE (E) 2609 CE-tested
	Plate 280 x 200 and 340 x 240 ECE (E) 2911 CE-tested
Approval	GGVS/ADR
Functions	Licence plate light
LED	4 Power Top LEDs
Power consumption	1 W
Specification	Hella standard Class 7.2 Agro plus
Dimensions	Surface-mounting variant 93 x 63 x 66 mm
	Flush-mounting variant 83 x 33 x 24 mm
Operating temperature	-40 °C to +50 °C
IP protection class	IP 6K9K
Electrical connection	6.3 mm male blade connector independent of polarity (+ and - can be reversed)
Service life	30,000 h*

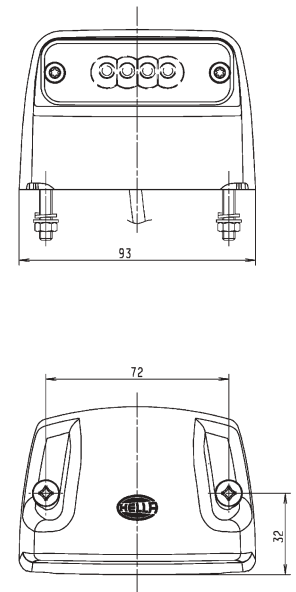
(\* depending on ambient temperature)

## Technical drawing

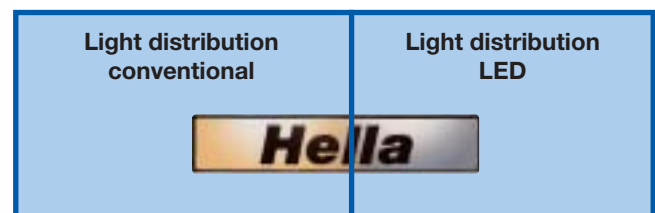
### Flush-mounting version



### Surface-mounting version



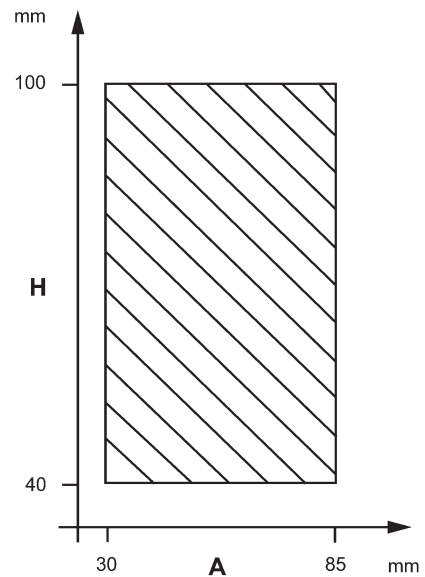
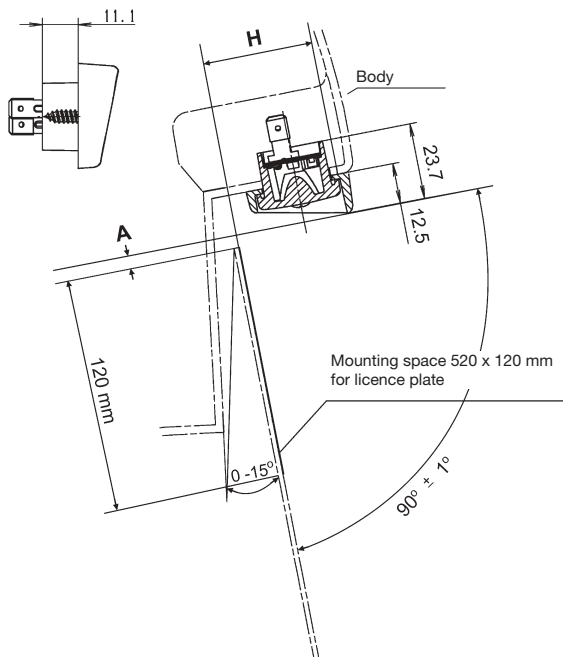
## Application example and comparison of light distribution



# Technical details

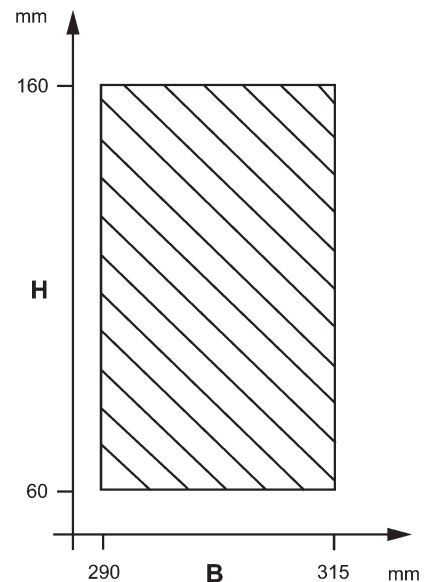
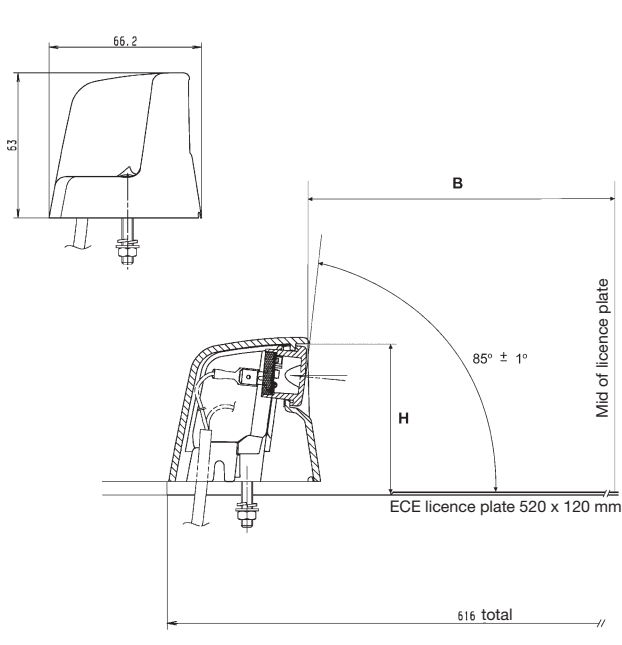
## Licence plates 520 x 120 mm

### Installing the flush-mounting version



For installation above a licence plate of the size 520 x 120 mm, **2 lights** are required (each 130 mm away from the centre of the licence plate).

### Installing the surface-mounting version



For installation on the left or right of a licence plate of the size 520 x 120 mm, only **1 light** is required (aligned centrally to the licence plate).

# Technical details

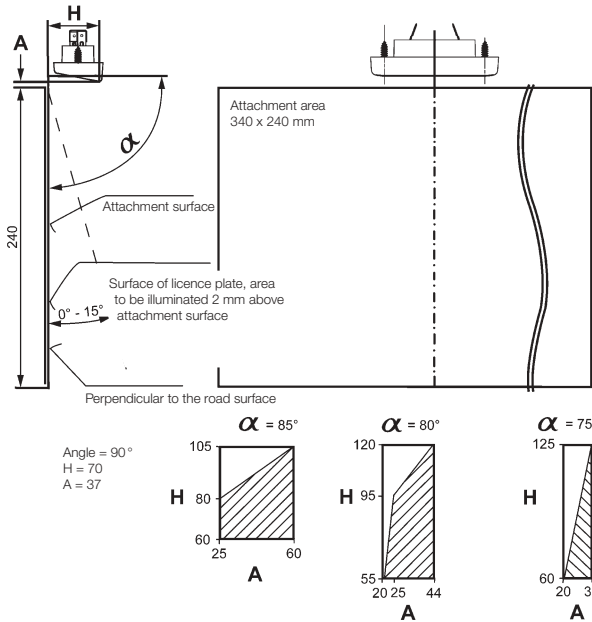
## Licence plates 340 x 240 mm

The distances A and H must be chosen in such a way that they are within the shaded tolerance fields shown.

### Installing the flush-mounting version

View from the side

View from the front

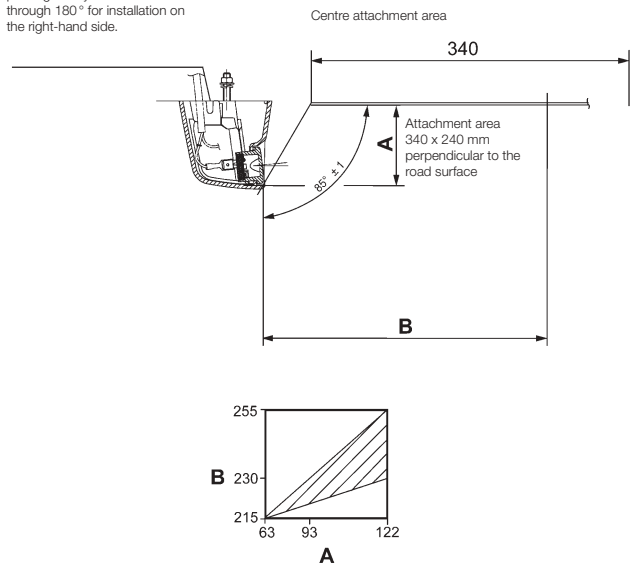


The distances A and B must be chosen in such a way that they are within the shaded tolerance fields shown.

### Installing the surface-mounting version

View from above

Alignment of the light centrally to the licence plate. The licence plate light may also be turned through 180° for installation on the right-hand side.



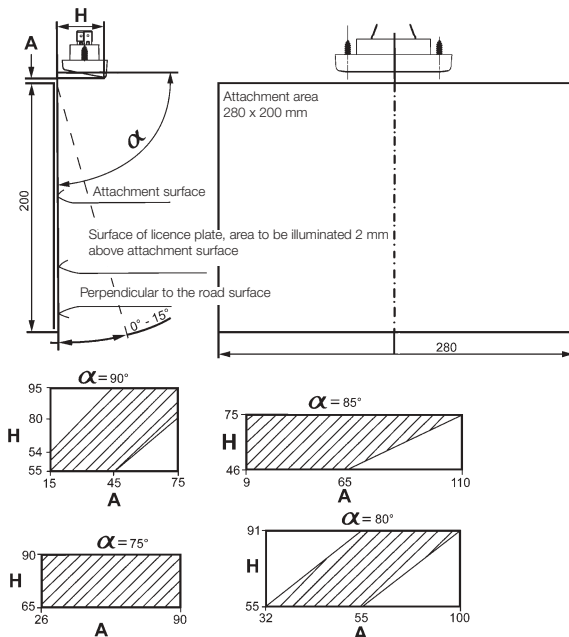
## Licence plates 280 x 200 mm

The distances A and H must be chosen in such a way that they are within the shaded tolerance fields shown.

### Installing the flush-mounting version

View from the side

View from the front

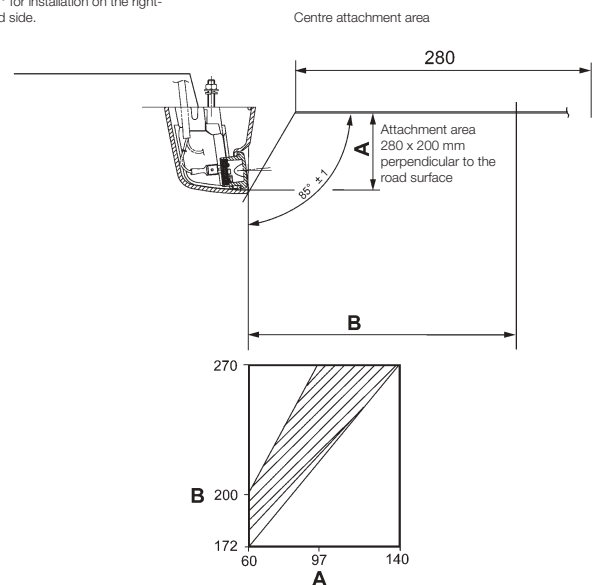


The distances A and B must be chosen in such a way that they are within the shaded tolerance fields shown.

### Installing the surface-mounting version

View from above

Alignment of the light centrally to the licence plate. The licence plate light may also be turned through 180° for installation on the right-hand side.



# Range overview

Plates	Product photo	Part number	Specification	Installation	Packaging size		Voltage	Watts	Current consumption
					--1	--7			
520 x 120 mm		2KA 010 278-311 / -317	with frame, connection 6.3 x 0.8 flat receptacles	Flush-mounting*	1	196	12 V	1 W	0.08 A
		2KA 010 278-011 / -017					24 V	1 W	0.04 A
		2KA 010 278-321 / -327	with housing, connection 6.3 x 0.8 flat receptacles	Surface-mounting**	1	84	12 V	1 W	0.08 A
		2KA 010 278-021 / -027					24 V	1 W	0.04 A
		2KA 010 278-031 / -037	Potted housing, with 2-pole cable, 2,000 mm, 6.3 x 0.8 blade sliders	Surface-mounting**	1	***	24 V	1 W	0.04 A
	340 x 240 and 280 x 200 mm		2KA 010 278-411	with frame, connection 6.3 x 0.8 flat receptacles	Flush mounting	1	196	12 V	1 W
2KA 010 278-111			24 V					1 W	0.04 A
		2KA 010 278-421	with frame, connection 6.3 x 0.8 flat receptacles	Surface-mounting**	1	84	12 V	1 W	0.08 A
		2KA 010 278-121		Surface-mounting**			24 V	1 W	0.04 A

\* 2 lights required above the licence plate

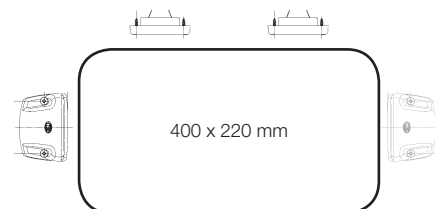
\*\* 1 light required to the right or left of the licence plate

\*\*\* Approval in the event of sufficient demand

The individual light functions may only be operated with a vehicle fuse of max. 3A.

## Outlook

### Flush-mounting variant with potted contacts



One surface-mounting variant from the side or two flush-mounting variants above the licence plate (with CCC certification for China possible on request).