



Technology
with Vision



BRIEF INFORMATION

Flat Beam 500

- Highly efficient worklight
- Elegant, modern design
- Extremely flat design

PRODUCT FEATURES

The Flat Beam 500 from Hella is a compact LED worklight with an elegant design. The low housing depth (only 30°mm) is ideal for installation in tight spaces. The lens of the Flat Beam 500 has been developed specially to channel the light beams at 45° towards the ground, even with flat wall mounting. This means that even flat-mounted lights provide good illumination for the range of operation.

This highly efficient worklight contains 30 energy-efficient LEDs, which only consume 7 watts of power. To achieve the same output with a 12-volt halogen light, 55 watts (e.g. H3) are required. The vehicle's reduced energy consumption saves significantly on energy costs, and is also good for the environment. The light output of 550 lumen is sufficient to provide homogeneous illumination for close-range work.

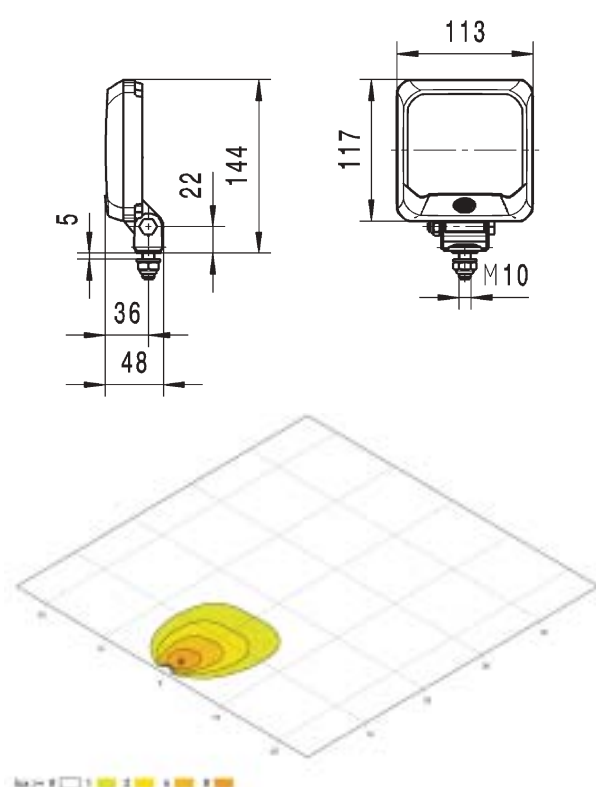
This worklight can be operated with both 12 V and 24 V systems. The integral electronics protect the unit in the event of polarity reversal, and guarantee constant brightness even if the operating voltage fluctuates between 9 and 33 V.

The extremely flat design permits flexible mounting possibilities e.g. on the rear bulkhead of trucks. This worklight's synthetic material housing protects it from corrosion, making it ideal for use under the harshest of conditions.

TECHNICAL DETAILS

Technical data	
Operating voltage / Rated voltage	9 – 33 V
Recommended inclination	0°
Light source type	30 energy-efficient LEDs
Power consumption	7 W
Light performance	550 lm
Colour temperature	5,700° Kelvin
Protection class	IP 6K9K / IP 67
Type test	E1
Housing	Glass-fibre reinforced plastic
Light aperture	95 x 80 mm

Technical drawing/illumination



RANGE OVERVIEW

Part number 1GA 995 193-...	-001	-011	-021	-031	-041
Close-range illumination	x	x	x	x	x
Long-range illumination					
Terrain illumination					
Upright mounting	x		x	x	x
Suspended mounting		x			
Flush-mounting					
Swivel base	x	x			
Connecting cable	2,000 mm	2,000 mm	2,000 mm	2,000 mm	2,000 mm
DEUTSCH plug					
AMP plug					
Nylon lens	x	x	x	x	x
Overheating protection	x	x	x	x	x
Polarised	x	x	x	x	x
More features	Standard holder	Standard holder	Wall mounting with square-head screw	Lug mounting	Surrounding bracket