

- *Unbeatable vision*
- *More efficient than xenon*
- *Compact design*

Product features

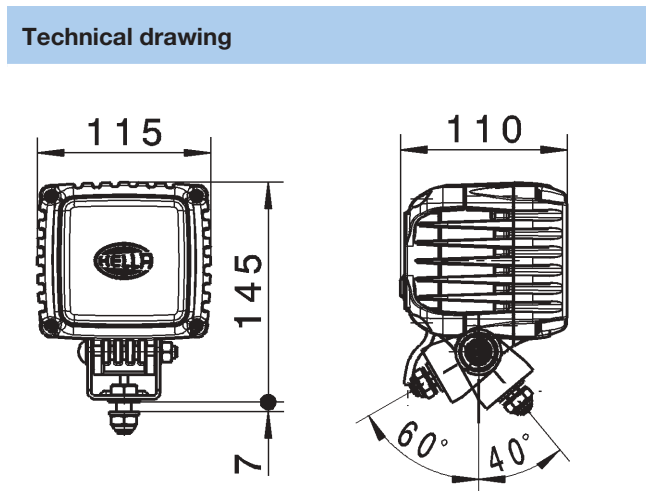


- 16 high-power LEDs
- Enormous output of 3,000 lumen
- Better vision than with xenon thanks to a luminous colour that is similar to daylight
- At the same low input as Xenon (43 Watt)
- Especially resistant to mechanical action by nylon dispersion lenses
- Diecast aluminium housing, bracket made of stainless steel
- A service life of up to 60,000 hours
- No interference with electronic devices e.g. radio
- Polarity reversal protection
- Overvoltage protection
- Overheating protection thanks to integrated thermal sensor
- Protection class IP 6K7 (watertight) and IP 6K9K (resistant to high-pressure cleaning)



Technical details

Technical data	
Operating voltage	Multi-voltage 9–33 V
Power consumption	43 W
Luminous flux	3,000 lm permanent light intensity
Colour temperature	5,700° Kelvin
Light output	100% at ambient temperatures of -40 °C to + 50 °C



Range overview

Light distribution	Part number	Specification
	1GA 996 192-001	Power Beam 3000 12–24 V LED, Close-range illumination Electrical connection: Cable group
	1GA 996 192-011	Power Beam 3000 12–24 V LED, Long-range illumination Electrical connection: Cable group

Intensity [lx] | 1, 2, 4, 8, 16, 32
 lx >= 0 1 2 4 8 16 32

