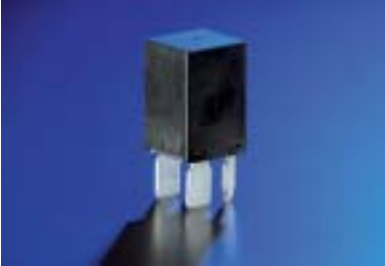


HCF Relay

Special features



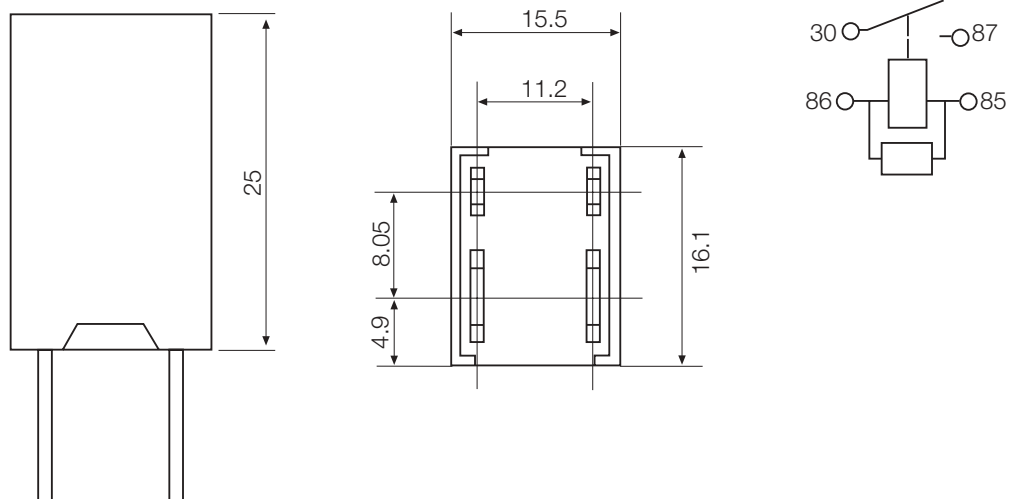
- New type of motor vehicle plug-in relay. The reduced power consumption and smaller dimensions allow higher packing density
- 30 % smaller base than ISO micro relay
- Connector arrangement: dual inline
- 2.8 mm coil connections
- 6.3 mm load connections

Possible applications

- Fan motors for radiators
- Window heating
- Terminal 15 relay
- Loads in continuous operation

Technical data

- Operating temperature from -40°C to $+125^{\circ}\text{C}$
- Max. continuous load 40 A
- 60 g vibration resistance and shock resistance
- Voltage drop in the load path $\ll 10$ mV at 10 A
- $160\ \Omega$ coil resistance
- Max. 7 V function voltage at 23°C
- Max. overtemperature at rated current 70 K



Contact

Hella KGaA Hueck & Co.
7 Relays & Horns

Rixbecker Str. 75
59552 Lippstadt, Germany

Phone: +49(0)2941 38-2397
Fax: +49(0)2941 38-8194

E-mail: Herbert.Dirks@hella.com
Internet: www.hella.com

