

TeleLUX® Remote Control Work Lamps - 24V DC



Hella TeleLUX® Halogen remote control lights deliver advanced technology in a robust housing for use on mobile or fixed plant and machinery with 24V electrical systems.

The TeleLUX high precision optical system is mounted on a motorised platform that provides both elevation and azimuth adjustment via radio or cable remote control. Two beam patterns are available to ensure that optimum illumination can be supplied to suit the application.

The TeleLUX system is available in heavy duty injection-moulded, flame-retardant, UV and corrosion-resistant polymer

bodies fitted with clear polycarbonate dome lenses. Polymer TeleLUX lights are available in either base mount or pole mount bodies, and a pole mount stainless steel body is available for maximum protection in very corrosive environments.

The range also includes a portable version complete with protective galvanised steel cage, magnetic base and carry handle.

Product features

- Two geared motor provides the motive power and electrical contact is made via sintered bushes
- Available for 24V DC systems (12V DC on special request)
- Optics with high precision reflector in two beam distributions
- Optics can be rotated through $\pm 360^\circ$ in azimuth and 260° in elevation
- Polycarbonate dome lens
- Easy service access from front
- Heavy-duty polymer body
- Grade 304 stainless steel corrosion resistant body
- 24V 70W H1 Halogen lamp switched by an internal relay
- -30°C to $+50^\circ\text{C}$ operation
- Pole mount and base mount options
- Portable version with 3m coiled cable and radio remote control
- Cable or radio remote control system

Description	Part No.
Cable remote control	
Pole mount, narrow beam	HMTLCCPNB
Pole mount, wide beam	HMTLCCPWB
Base mount, narrow beam	HMTLCCBNB
Base mount, wide beam	HMTLCCBWB
Radio remote control	
Pole mount, narrow beam	HMTLRCPNB
Pole mount, wide beam	HMTLRCPWB
Base mount, narrow beam	HMTLRCBNB
Base mount, wide beam	HMTLRCBWB
Portable, narrow beam	HMTLRMNB
Portable, wide beam	HMTLRMWB
Stainless Steel, Cable remote control	
Pole mount, narrow beam	HMTLCCSNB
Pole mount, wide beam	HMTLCCSWB

H1

BARE WIRE

2.6Kg

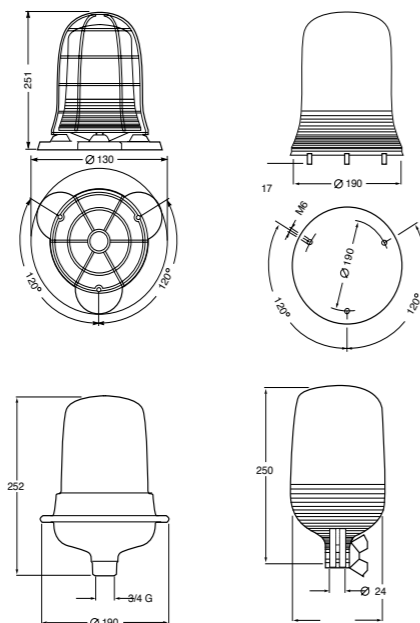
IP55 (standard)

IP6K7 (SS)

50G

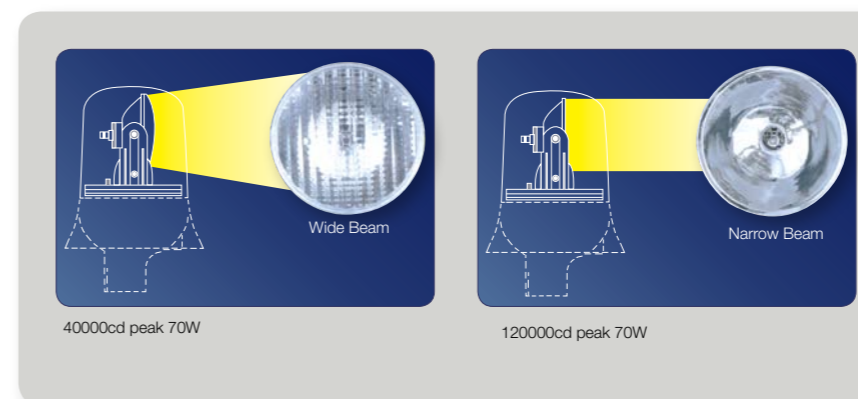
12/24V

70W max



Spare Parts

9.HMTLCLR	Lens
9.HMTLRCR	Radio remote
9.HMTLRCC	Cable remote
C2470	Globe H1 - 24V



Portable version with 3m coiled cable and radio remote control