



# AS500FF Halogen Worklamp

## Instructions

Please retain for future reference

	<p>Hella Part No.</p> <p>HMADH70WBD - Wide Beam Deutsch Plug - HMADH70NBD - Narrow Beam Deutsch Plug - HMADH70WBA - Wide Beam AMP Plug - HMADH70NBA - Narrow Beam AMP Plug -</p>	
--	--	--

Optic Spare Part:  
9.HMASHWB - Insert Wide Optic  
9.HMASHNB - Insert Narrow Optic

Use 3 mm allen bolt tool

Do not cut or damage this cable

Optional Part:  
Pedestal Bracket  
9.HMAPEDL

Use 5mm allen bolt tool  
Torque 2.5 - 4 Nm

Trunnion Bracket  
Spare Part  
9.HMATRUN

Globe Spare Part:  
YC2470 - 24V  
YC1255LL - 12V

Do not over tighten lens bolts  
Torque 2 Nm

		<p>DEUTSCH PLUG Pin Configuration</p>	<p>AMP PLUG Pin Configuration</p> <p>Images viewed from front.</p>
--	--	---	--



# AS500FF Halogen Worklamp

## Instructions

Please retain for future reference

### Technical Data

Specifications	12 V	24 V
Rated voltage	12V	24V
Operating voltage	12V	24V
Input current (in ready state)	55W 4.6A	70W 2.9A
Required fuse or circuit breaker in series to input	5A	
Mass	2 kg	
Exceeds Hella requirements	Class 4	
Lamp type	H3	
Protection Code	IP6K7	

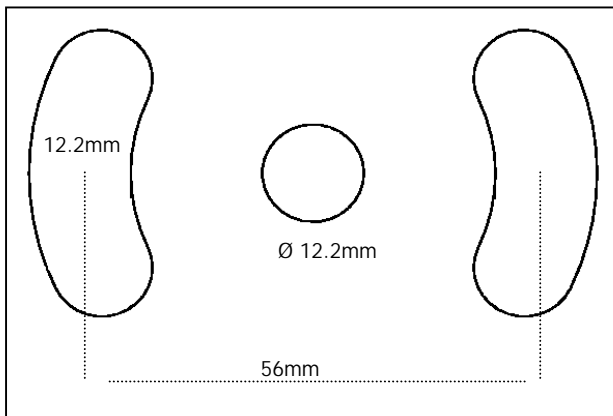
When using the lamp please note the following:

- The lamp may not be operated in small enclosed spaces.
- The distance between the lens and any combustible materials has to be at least 1m (40").
- Avoid looking directly into the intensive light.
- Only touch the worklamp after it has cooled down.
- The lens may occasionally be cleaned.
- No aggressive or abrasive cleaners may be used.
- Beware! Do not wash the lens with liquid substances while switched on or while the lens is still warm, as the lens might crack!

- Cables of 5mm<sup>2</sup> or larger are required for each lamp to assure proper starting characteristics. The electrical connection between the lamp and the power supply must not have an interior resistance exceeding 150 mOhms (12V) or 300 mOhms (24V).
- Please observe good wiring practice to prevent excessive voltage drop.
- Hella recommend use of suitably rated relays to switch all work lamps.

- Hella shall be absolved from all responsibility for any modifications performed on the luminaire
- Use only certified original equipment for replacement purposes

### Fixing Centres Template (Actual Size)





# AS500FF Halogen Worklamp Instructions

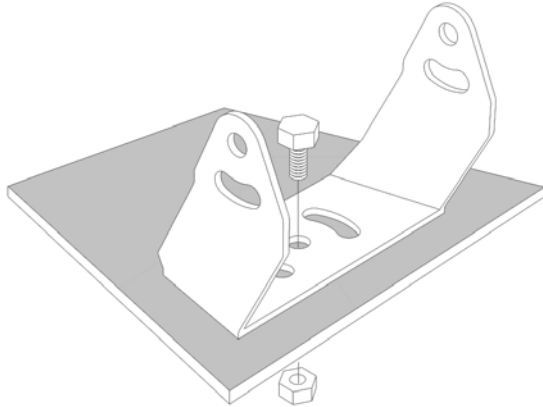
Please retain for future reference

## Typical Mounting Procedure

The worklamp is suitable for upright or pendant mounting. In case of pendant mounting please open the lamp and assemble the reflector unit turned 180° (see exchange of the D2S bulb)

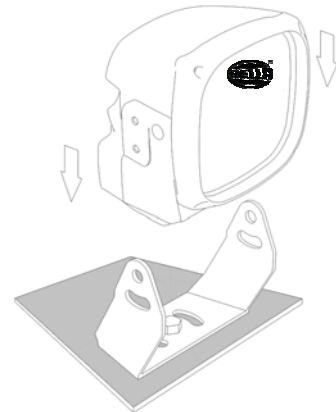
Take care of the correct lens position ("Top" and Hella logo pointing upwards).

1



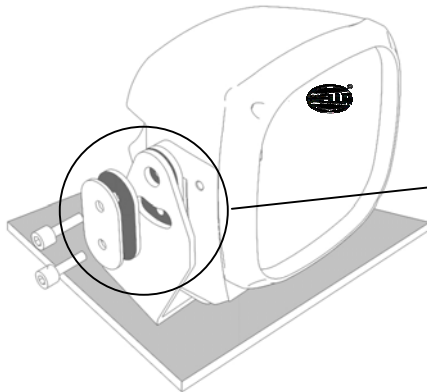
Position AS 500 bracket on to desired mounting surface and fasten bolts

2

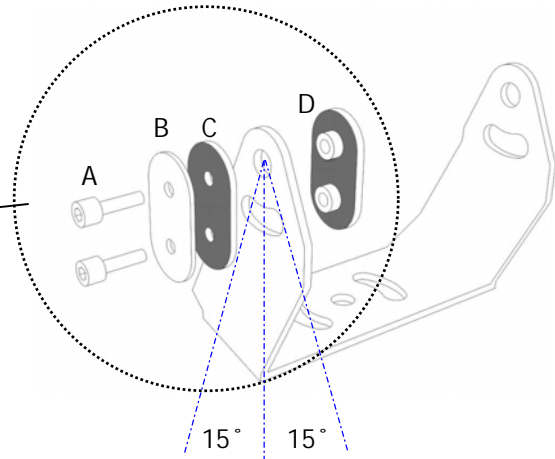


Place lamp into bracket and adjust aiming angle

3

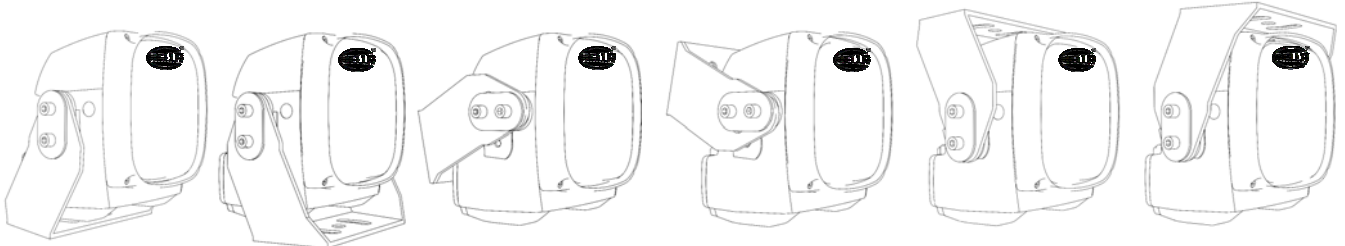


Once desired aiming angle is achieved fasten into place, tighten all bolts making sure the order of the bracket system is followed as per diagram to ensure no metal-to-metal contact.



Plug in and power

## Trunnion Bracket Positions



Use all the parts supplied with the trunnion bracket to ensure correct operation

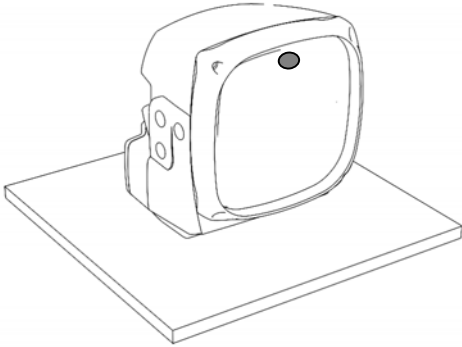


# AS500FF Halogen Worklamp

## Instructions

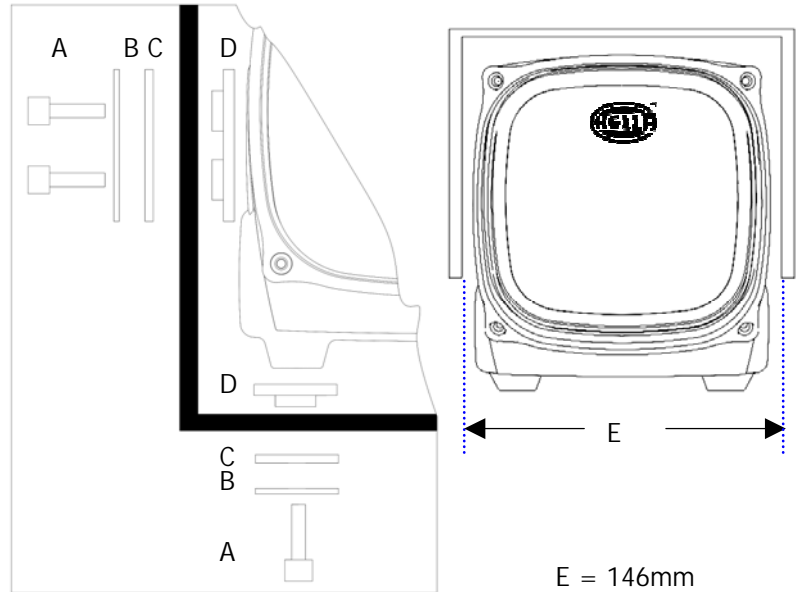
Please retain for future reference

### Direct Mounting Procedure

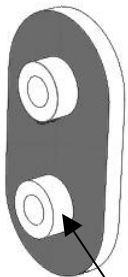


Direct mounting to a surface or into a housing is possible using the side or back mounting holes positioned on the luminaire.

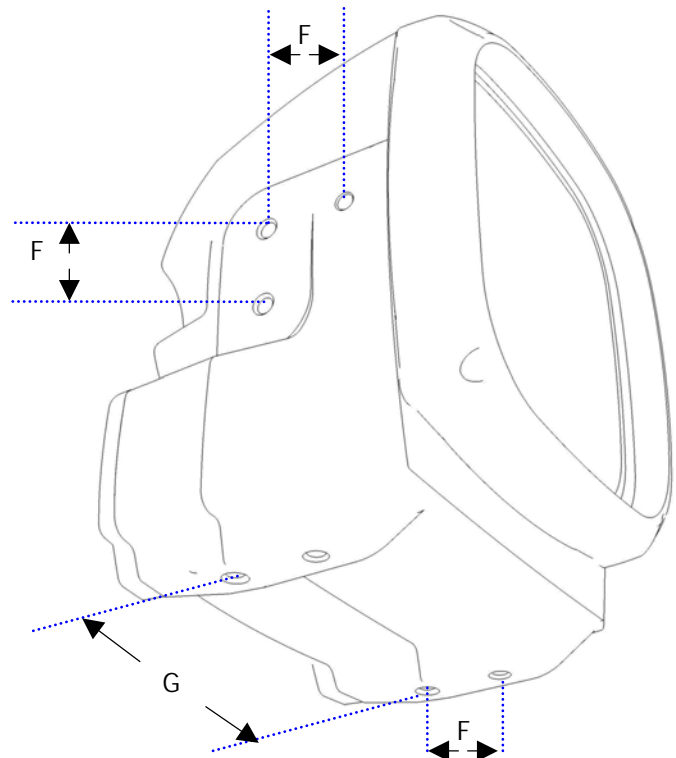
Use all the parts supplied with the trunnion bracket to ensure correct operation



### Direct Mounting Procedure



Ø 12.5 mm



F = 25 mm (FIXING HOLE CENTRES)  
G = 100 mm (FIXING HOLE CENTRES)