



DuraLed[®] M Marker

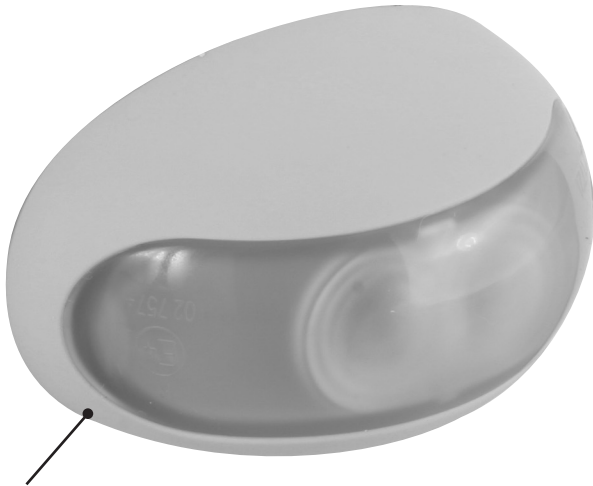
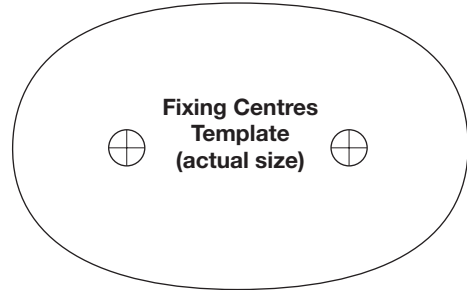
LED Marker and Inspection Lights

Mounting Instructions

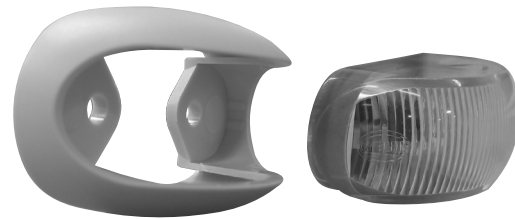
Please retain for future reference

Hella Part Numbers

HM2054, HM2054D, HM2053PC, HM2053PCD, HM2307, HM2307D
HM2026, HM2026D, HM2051 & HM2051D

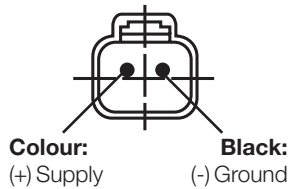
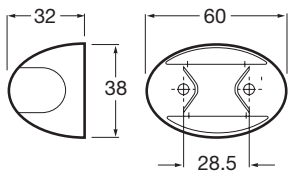


**Marker Housing Yellow
Spare Part**
9.HMDLM002



Note
Secure housing first, then insert LED

DEUTSCH Plug Pin Configuration



LED Module Instructions

To remove the LED module hold the housing near the base and push firmly on the back of the module.

Note:
The LED module is fully sealed and has no serviceable components.

The LED module is securely fastened to prevent dislodging in service, and removal would not normally be required.

If it becomes necessary to remove the module, insert a small blade between the LED module and the housing at the correct position and prise the module free from the housing (see diagram overleaf).

Lamp Mounting Instructions

4mm Ø bolts are recommended with a maximum head height of 4.5mm (not included).

New Installations

Ensure the lamp is mounted on a flat surface. The housing may be used as a template for the mounting holes. Do not mount the lamp where damage is likely to be sustained due to tie-downs and other securing devices. Drill two mounting holes up to 4.5mm Ø 28.5mm apart and mount the housing. Drill cable entry hole in the centre of the mounting holes at a recommended size of 6mm to 8mm Ø and ensure the hole has no sharp edges to chafe the cable. Push the cable through the hole and connect the wiring (see wiring instructions).

HM2053PC Only

The red side of the LED is the same side as the Hella logo, or check by operating the lamp. Push the LED module firmly into the housing until it snaps into position.



DuraLed[®] M Marker

LED Marker and Inspection Lights

Mounting Instructions

Please retain for future reference

Technical Data

Colour	Connect to	Power Consumption
Black	Earth (-)	
Colour (red, amber, white/red trace)	Positive (+)	0.4 watts @ 12 volts 0.8 watts @ 24 volts

Wiring Colour Coding

The DuraLed marker range is multi voltage capable allowing full light output between 8 and 28 volts (HM2054: 10-33 volts). LED modules are polarity conscious. Reverse polarity will not damage this product but will inhibit its function. Hella recommends wire connections be soldered, and heat shrink tubing applied to seal the joint.

Energy Saving recommendations for 24 volt systems

To derive the full benefit of the low power consumption (0.4 watts) Hella recommends to wire pairs of DuraLed marker lamps in series.

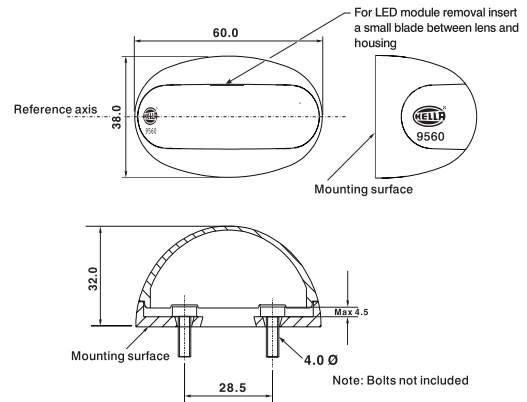
Note:

Lamp must be protected by a fuse rated at 2 amperes maximum.

Warranty

Hella branded products are covered by a warranty against manufacturing or material defects. Lamp is sealed and does not have any serviceable parts inside; opening the lamp will invalidate warranty.

- Hella shall be absolved from all responsibility for any modifications performed on the luminaire
- Use only certified original equipment for replacement purposes



HM2051

ADR - APPLICATION AND MOUNTING INSTRUCTIONS

ADR 49/00 Amber Front End-Outline Marker Lamp

DuraLed[®] FRONT END-OUTLINE MARKER LAMP

Lens Marking and ADR 13/00 Installation Requirements

This Front End-Outline lamp, identified by lens marking 9560 and the Hella logo was manufactured to comply with ADR 49/00 Front End-Outline Marker Lamps (Trailers only)

- Lamp mounting surface must be vertical to the ground and be square to the vehicle longitudinal axis
- Lamp reference axis must be horizontal
- Lamp must be visible between

Horizontal angle: 0° inwards (parallel with vehicle axis) and 80° outwards
Vertical angle: 5° above and 15° below the horizontal

HM2054

ADR - APPLICATION AND MOUNTING INSTRUCTIONS

ADR 49/00 Front End-Outline Marker Lamp
ADR 49/00 Front Position (Side) Lamp

DuraLed[®] FRONT END-OUTLINE MARKER LAMP AND FRONT POSITION (SIDE) LAMP

Lens Marking and ADR 13/00 Installation Requirements

This lamp, identified by lens marking A(E)02 7575 and the Hella logo was manufactured to comply with ADR 49/00 Front End-Outline Lamps / Front Position (Side) Lamps

- Lamp mounting surface must be vertical to the ground and be square to the vehicle longitudinal axis
- Lamp reference axis must be horizontal

Front End-Outline Marker Lamp

- Lamp must be visible between
- Horizontal angle: 0° inwards (parallel with vehicle axis) and 80° outwards
Vertical angle: 5° above and 15° below the horizontal

HM2053PC

ADR - APPLICATION AND MOUNTING INSTRUCTIONS

ADR 45/01 Side Marker Lamp

DuraLed[®] SIDE MARKER LAMP

Lens Marking and ADR 13/00 Installation Requirements

This Side Marker Lamp, identified by lens marking 9560 and the Hella logo was manufactured to comply with ADR 45/01 Side Marker Lamps

- Lamp mounting surface must be vertical to the ground and be parallel to the vehicle longitudinal axis
- Lamp reference axis must be horizontal, with the lamp's red side facing rearward

(Note Hella logo is on the red side - see diagram below)

- Lamp must be visible between
- Horizontal angle: From 5° out to 85° out at the front and at the rear
Vertical angle: 10° above and below the horizontal

HM2026

ADR - APPLICATION AND MOUNTING INSTRUCTIONS

ADR 45/01 External Cabin Lamp

DuraLed[®] EXTERNAL CABIN LAMP

Lens Marking and ADR 13/00 Installation Requirements

ADR 45/01 External Cabin Lamp

This External Cabin Lamp, identified by lens marking 9560 and the Hella logo was manufactured to comply with ADR 45/01 External Cabin Lamps

- Lamp mounting surface must be vertical to the ground and be square to the vehicle longitudinal axis
- Lamp reference axis must be horizontal

Lamp must be visible between

Horizontal angle: 45° to the left (parallel with vehicle axis) and 45° to the right
Vertical angle: 5° above and 15° below the horizontal

HM2307

ADR - APPLICATION AND MOUNTING INSTRUCTIONS

ADR 49/00 Rear End-Outline Marker Lamp
ADR 49/00 Rear Position (Side) Lamp

DuraLed[®] REAR END-OUTLINE MARKER LAMP AND REAR POSITION (SIDE) LAMP

Lens Marking and ADR 13/00 Installation Requirements

This lamp, identified by lens marking 9560 and the Hella logo was manufactured to comply with ADR 49/00 Rear End-Outline Lamps / Rear Position (Side) Lamps

- Lamp mounting surface must be vertical to the ground and be square to the vehicle longitudinal axis
- Lamp reference axis must be horizontal

Rear End-Outline Marker Lamp

- Lamp must be visible between
- Horizontal angle: 0° inwards (parallel with vehicle axis) and 80° outwards
Vertical angle: 5° above and 15° below the horizontal