

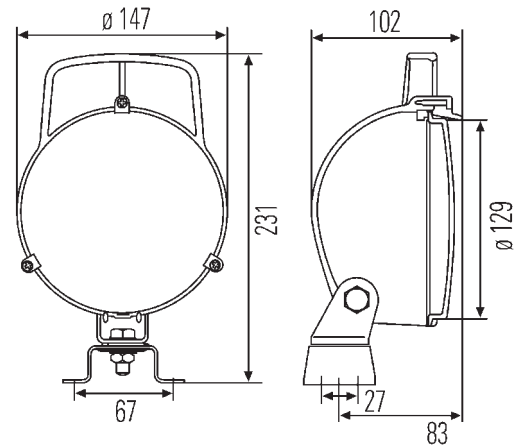
## For Intense and Homogeneous Close-range Illumination

### Lighting technology:

The worklight is equipped with a parabolic reflector. In conjunction with the patterned lens optics, this provides intense and homogeneous illumination of the close-range working space. An H3 bulb (not included in the scope of supply) or F2 bulb (in the case of versions -131 and -001) is used as the light source. The worklight can be used with both 12 V and 24 V vehicle-electric-system voltages (bulbs not included in the scope of supply).

### Housing:

The black bulb housing is made of plastic and to protect the lens has a protruding edge at the front. The handle makes it easier to adjust the worklight, thus allowing perfect illumination of the working space. The bracket allows stable four-point fastening of the worklight. The cable passage for power connection runs via a rubber grommet. Items designed for an F2 – 35-Watts bulb have been fitted with a plastic lens (affects versions -131 and -001). This worklight is also available with a switch.



W131

### Technical Data W131

Rated voltage (U <sub>N</sub> ):	<b>12V</b>	<b>24V</b>
Recommended inclination angle:	20°-30°	
Bulb (not included in the scope of supply):	H3/F2	
Light transmittance:	Ø 129 mm	
Watts:	35-55 W	70 W
Housing	Plastic	

### Part Number:

W131

1G3 996 001-...

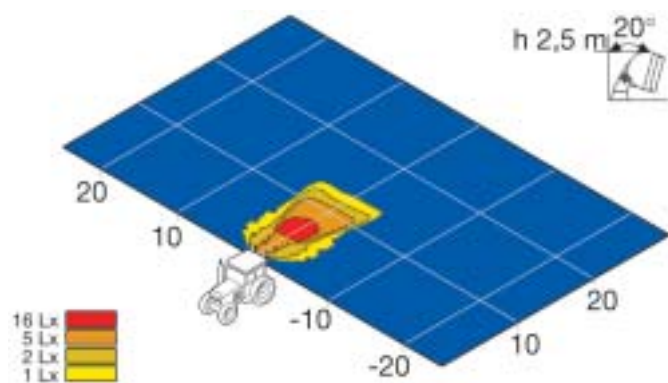
### Accessories and Spare Parts

#### Bulbs

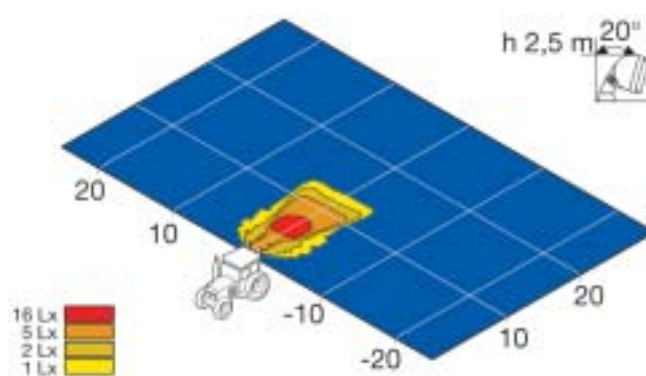
-041/-271/-301/-331/-391	12V	55 W	<b>8GH 002 090-133</b>
	12V	35 W	<b>8GH 002 090-271</b>
	24V	70 W	<b>8GH 002 090-251</b>
-131/-001	12V	35 W	<b>8GA 002 083-131</b>
	24V	35 W	<b>8GA 002 083-251</b>



Part Number 1G3 996 001 ...	-001	-041	-131	-271	-331	-391	-301	-351
Close-range illumination				■	■			
Long-range illumination	■	■	■			■	■	■
12V & 24V	■	■	■	■	■	■	■	■
H3 bulb	F2	H3	F2	H3	H3	H3	H3	H3
Upright mounting	■	■	■	■	■	■	■	■
4-point fastening	■	■	■	■	■	■	■	■
Swivel base	■	■	■	■	■	■	■	■
Plastic lens	■		■					
Glass lens		■		■	■	■	■	■
Protective grille							■	■
Handle	■	■	■	■	■	■	■	■
Switch			■		■	■		■
Cable entry with grommet	■	■	■	■	■	■	■	■



Ground illumination 20°



Close-range illumination 20°