

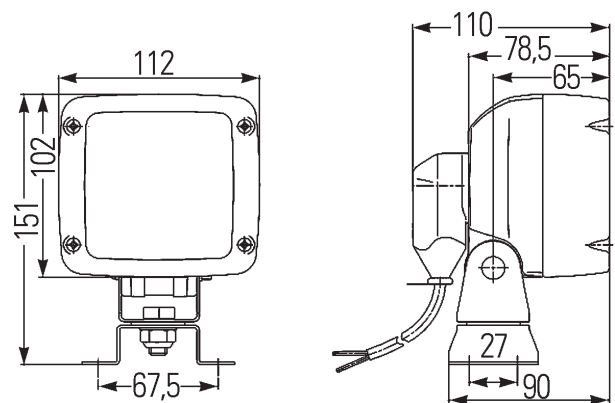
Aluminium Free-form Technology for High and Efficient Light Output

Lighting technology:

The reflector of the worklight is based on free-form technology, which allows highly specific illumination of the working area. In this compact worklight, an aluminium free-form reflector provides very high and efficient light output. The Ultra Beam H9 is characterized by extremely wide and homogeneous light distribution for large-area off-road illumination. A 12 V H9 bulb is used as the light source, which, with 1.5 times the light output of a conventional halogen bulb, provides excellent illumination of the working area.

Housing:

The black bulb housing of this sturdy worklight is made of glass-fibre-reinforced, acid and corrosion-resistant plastic. Thanks to its compact dimensions, the worklight can be used universally. The worklight is resistant to high-pressure cleaning in accordance with IPX9K and is dust-resistant in accordance with IP5K. To protect the lens, the housing has a protruding edge. Depending on version, power connection is via a 2-pole AMP plug integrated into the housing, or directly via the plug-connection of the H9 bulb. The worklight is suitable for use in the case of hazardous-goods transport (with the exception of 1GA 996 150-151 with pipe-socket fixing).



Ultra Beam H9

Technical Data Ultra Beam H9

Rated voltage (U _n):	12V
Recommended inclination angle:	3 - 10°
Bulb:	H9 (included in the scope of supply)
Light transmittance:	83 x 83 mm
Watts:	65W
Housing:	Glass-fibre reinforced plastic
Protective category:	IPX9K

Part Numbers:

Ultra Beam H9	1GA 996 150 ...
---------------	-----------------

Accessories and Spare Parts

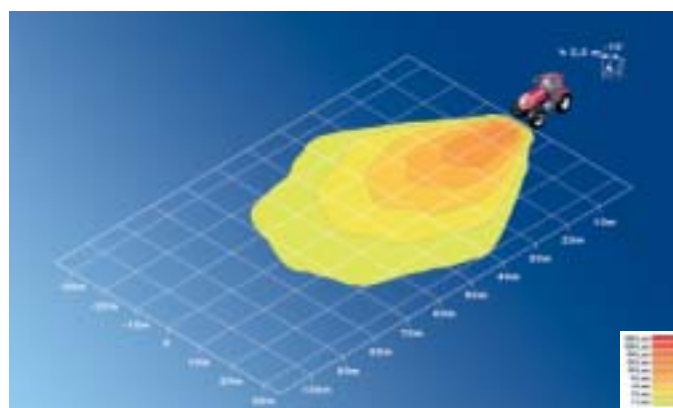
Bulb	12V 55W	8GH 002 090-133
	12V 35W	8GH 002 090-271
	24V 70W	8GH 002 090-251
	12V 65W	8GH 008 357-001
Cable	2m	8KB 990 299-001

Ultra Beam H9

Worklights



Part Number 1GA 996 150 ...	-021	-081	-071	-151
Off-road illumination	■	■	■	■
12V or 24V	12V	12V	12V	12V
H9 Bulb	■	■	■	■
Upright mounting	■	■	■	■
IP5K4K	■	■	■	■
High-pressure-jet resistant	■	■	■	■
4-point fastening	■	■	■	
Swivel base	■	■	■	
Pipe-socket fixing				■
Approved in accordance with GGVS/ADR	■	■	■	
Connection cable	2000mm		2000mm	
Glass lens	■	■	■	■
Handle			■	■
AMP plug-type connection		■		■
H9 plug-type connection with protection cap	■		■	



Off-road illumination 10°