

Sturdy and Strong. For Extremely Wide and Homogeneous Illumination

Lighting technology:

The halogen worklight with FF reflector made of diecast aluminium offers extremely wide, homogeneous illumination and is available with either a patterned or non-patterned lens and prism reflector (long-range illumination is possible only with non-patterned lens). Single-chamber (1xH3) and Double Beam (2xH3) versions are available.

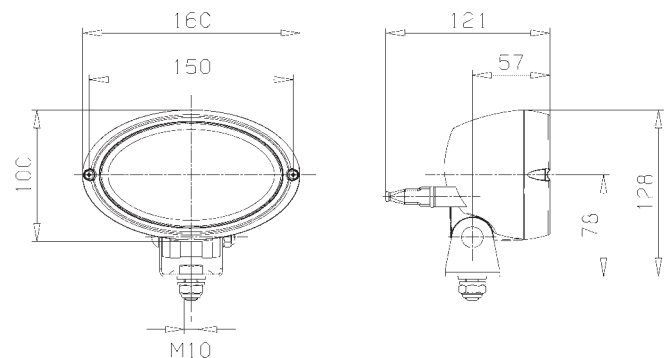
Design:

The black housing of this sturdy worklight is made of glass-fibre-reinforced plastic, which is acid resistant and corrosion resistant. To protect the lens, the housing has a protruding edge. In the case of the heavy-duty version, a patented damping system is used which protects the light from vibrations and therefore extends the service life of the bulb. Rubber caps to protect AMP or DEUTSCH plug-type connection are included in the scope of supply.



Technical Data Oval 100 H3

Rated voltage (U _n):	12V	24V
Bulb:	H3	
Light transmittance:	130 x 75 mm	
Watts:	35-55W	70W
Housing:	Glass-fibre reinforced plastic	
Protective category:	IP5K4K and IP5K9K	
Recommended inclination angle: (except for 1GA 996 61-131/-331)	8°-15°	
Recommended inclination angle: (1GA 996 161-131/-331/361-011)	4°-10°	



Oval 100 H3

Part Numbers:

Oval 100 H3	1GA 996 161 ...
	1GA 996 361 ...

Accessories and Spare Parts

Bulb	12V	55W	8GH 002 090-133
	12V	35W	8GH 002 090-271
	24V	70W	8GH 002 090-251

Oval 100 H3

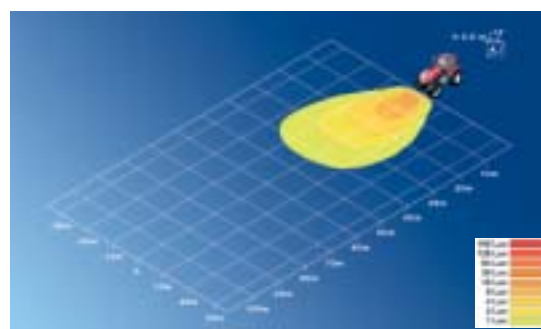
Worklights



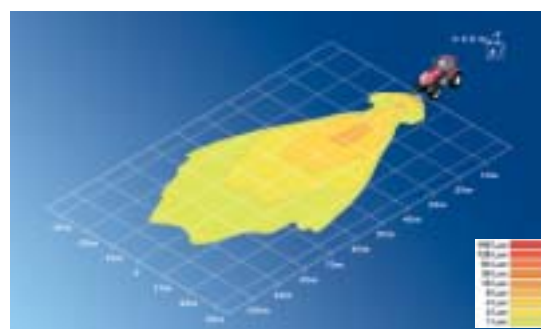
Part Number 1GA 996 161 ...	-121	-581	-131	-281	-291	-331
Ground illumination	■	■			■	
Long-range illumination			■	■		■
12V or 24V	12V	24V	12V	12V	12V	12V
H3 bulb included	■	■	■	■	■	■
Upright mounting	■	■	■	■	■	
Pendant mounting	■	■	■	■	■	
Side mounting						■
Patterned glass lens	■	■			■	
Non-patterned glass lens			■	■		■
Single chamber	■	■		■		
Double Beam			■		■	■
IP5K4K	■	■	■	■	■	■
IP5K9K	■	■	■	■	■	■
High-pressure-jet resistant	■	■	■	■	■	■
4-point fastening		■				
Swivel base	■	■	■	■	■	■
Vibration damping		■				
Cable entry with grommet						
AMP plug-type connection	■	■	■	■	■	■



Part Number 1GA 996 361 ...	-171	-421	-011
Ground illumination	■	■	
Long-range illumination			■
12V or 24V	24V		24V
H3 bulb included	■		■
Upright mounting	■	■	■
Pendant mounting	■	■	■
Prism glass lens	■	■	
Clear-glass lens			■
Single chamber	■	■	
Double Beam			■
IP5K4K	■	■	■
IP5K9K	■	■	■
High-pressure-jet resistant	■	■	■
Swivel base	■	■	■
Vibration damping	■		
Cable entry with grommet		■	
AMP plug-type connection	■		■



Ground illumination 12°



Long-range illumination 3°