

## Light Colour Similar to Daylight, thanks to State-of-the-art Xenon Technology

### Lighting technology:

This worklight is equipped with a 35 W D1S xenon bulb. The 4th generation ballast is integrated into the housing. Thanks to the xenon technology this worklight produces 250% more light in comparison with a 55 W halogen bulb, and the energy consumption is 35% less. A further advantage is the 5-times-longer average service life of the xenon bulb in comparison with a halogen bulb. As a result, expenditure due to bulb replacement is reduced considerably. Thanks to the light colour, which is similar to daylight, objects can be discerned more easily and more naturally in the dark. The constant brightness remains, even with fluctuating vehicle-electric-system voltages, between 9-16 V in the case of 12 V devices and 18-32 V in the case of 24 V devices.

### Housing:

The black housing of this sturdy worklight is made of glass-fibre-reinforced plastic, which is acid resistant and corrosion resistant. The ignition electronics have been integrated into the housing in such a way that the worklight can easily be used to replaced existing halogen worklights. To protect from the effect of force from outside, the light is supplied with a hardened lens

which furthermore is protected via a protruding lens carrier frame. Depending on the version, power connection is via a DEUTSCH or AMP plug.

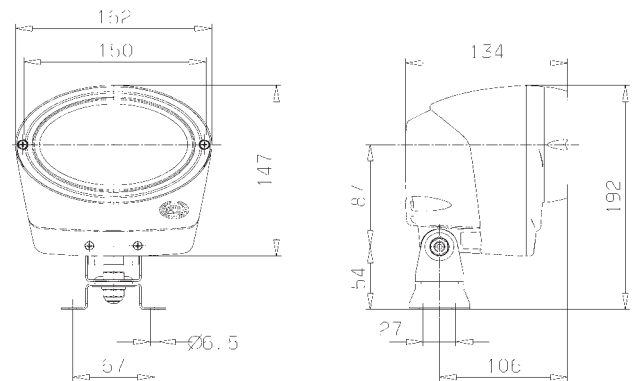
### Tip:

In order to be able to guarantee the maximum illumination time of the xenon bulb, the worklight should be used in a horizontal position with an inclination of no more than  $\pm 30^\circ$ .



### Technical Data Oval 100 Xenon

Rated voltage (U <sub>N</sub> ):	<b>12V</b>	<b>24V</b>
Operating voltage:	9-16V	18-32V
Rated current:	3A	1,5A
Starting current (over a period of 8s max.):	<20A	<10A
Switch-on current peak (over a maximum period of 1 ms):	<50A	<30A
Bulb:	D1S xenon bulb	
Light transmittance:	130 x 75 mm	
Watts, bulb:	35W	
Housing:	Glass-fibre reinforced plastic	
Protective category:	IP5K4K	
Recommended inclination angle: (except for 1GA 996 261-581)	8°-15°	
Recommended inclination angle: 1GA 996 261-581	3°-10°	



Oval 100 Xenon

### Part Numbers:

Oval 100 Xenon	1GA 996 261 ...
<b>Accessories and Spare Parts</b>	
Xenon bulb D1S	8GS 009 028-001

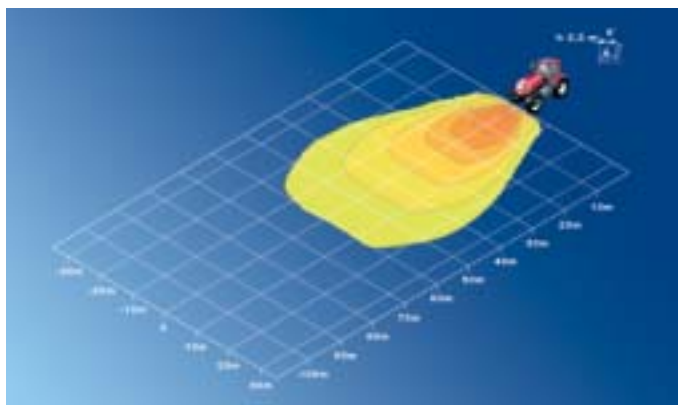
Receptacle housing for AMP plug-type connection	8JD 008 151-011
Flat receptacles	8KW 701 235-033
Blade-type fuse (15 A), 5	8JS 711 687-821

# Oval 100 Xenon

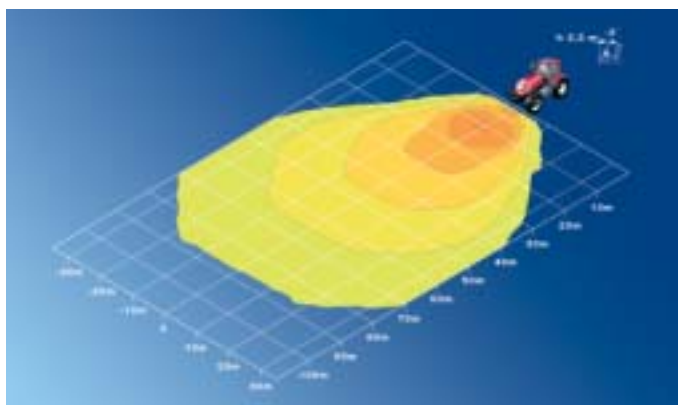
## Worklights



Part Number 1GA 996 261 ...	-511	-521	-531	-561	-571	-581	-691	-701
Ground illumination	■	■	■	■	■		■	■
Off-road illumination						■		
12V or 24V	12V	12V	24V	12V	24V	12V	24V	24V
D1S or D2S Xenon	D1S	D1S	D1S	D1S	D1S	D1S	D1S	D1S
Upright mounting	■		■	■	■	■		■
Pendant mounting		■					■	
Patterned glass lens	■	■	■	■	■	■	■	■
IP5K4K	■	■	■	■	■	■	■	■
4-point fastening	■		■	■		■		
Swivel base	■	■	■	■	■	■	■	■
Pipe-socket fixing								■
AMP plug-type connection				■	■	■		■
Deutsch plug	■	■	■				■	



Ground illumination 8°



Off-road illumination 3°

