

## Xenon Technology for 5-times Longer Service Life\* and Brilliant Light Output

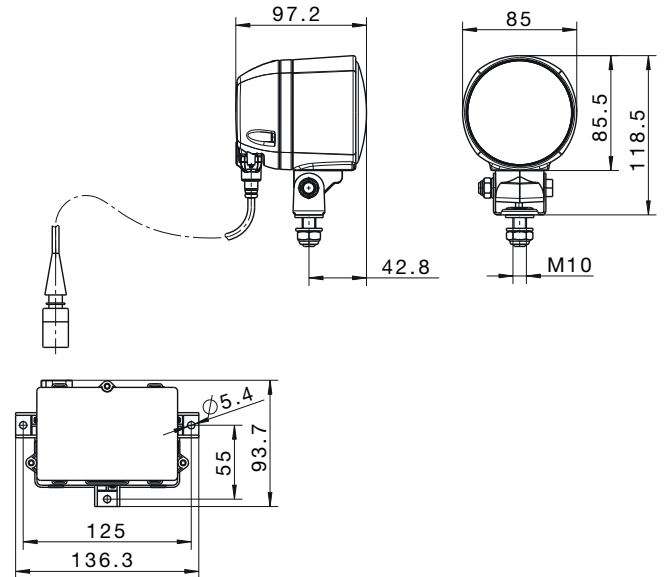
### Lighting technology:

The Module 70 Xenon is a compact worklight with an extremely small package space. Despite the small size, the free-form reflector made of diecast aluminium provides excellent light output. Thanks to the clear, hardened lens, the device shines with a state-of-the-art design. Versions for close-range illumination or with long-range illumination are available according to choice. This worklight is equipped with a 35 W D1S xenon bulb. Thanks to the xenon technology this worklight produces 250% more light in comparison with a 55 W halogen bulb, and the energy consumption is 35% less. A further advantage is the 5-times-longer average service life of the xenon bulb in comparison with a halogen bulb, through which expenditure due to bulb replacement is reduced considerably. Thanks to the light colour, which is similar to daylight, objects can be discerned more easily and more naturally in the dark. The brightness remains constant, even with fluctuating vehicle-electric-system voltages, between 9-16 V in the case of 12 V devices and 18-32 V in the case of 24 V devices.

\* in comparison with a halogen bulb

### Design:

The black housing of this sturdy worklight is made of glass-fibre-reinforced plastic, which is acid resistant and corrosion resistant. Thanks to its compact dimensions, the worklight can be used universally. The housing is tightly glued to the reflector and the lens. The ballast can be separated from the light. In conjunction with the U-bracket, the housing with rotating joint allows optimum adjustment of the light.



Module 70 Xenon

### Technical Data Module 70 Xenon

Rated voltage (U <sub>N</sub> ):	<b>12V</b>	<b>24V</b>
Recommended inclination angle:		
Long-range illumination	5°-7°	
Ground illumination	10°-12°	
Bulb (incl. in the scope of delivery):	D1S	
Light transmittance:	Ø 70mm	
Watts:	42W	
Housing:	Glass-fibre reinforced plastic	
Protective category:	IP5K4K und IPX9K	

### Part Numbers:

Module 70 Xenon 1G0 996 176-...

### Accessories and Spare Parts

Xenon lamp D1S

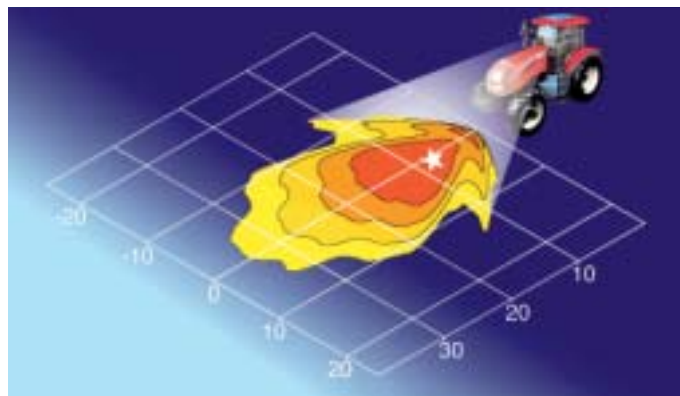
8GS 009 028-001

# Module 70 Xenon

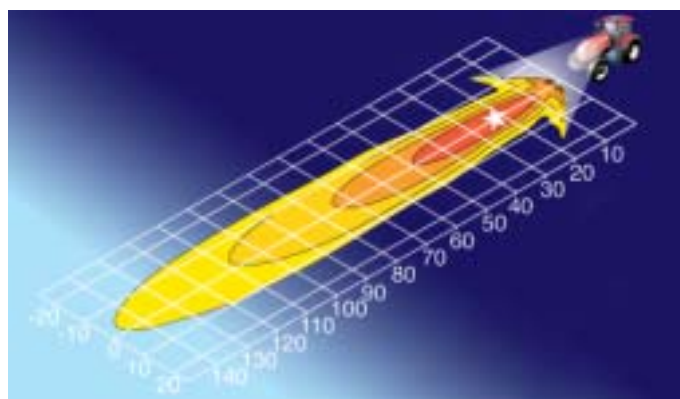
## Worklights



Part Number 1G0 996 176 ...	-101	-361
Close-range illumination	■	■
12V or 24V	12V	12V
D1S or D2S Xenon	D1S	D1S
Upright mounting		■
Pendant mounting		
Mounting	■	
Clear-glass lens	■	■
IP 5K4K	■	■
IP 5K9K	■	■
High-pressure-jet resistant	■	■
Rotating joint		■
Swivel base	■	■
Sturdy housing	■	■



Close-range illumination



Long-range illumination (upon request)

