

## For Universal Use and with 45% More Light Output\*

### Lighting technology:

The Module 70 with H9 bulb is a compact worklight with an extremely small package space. Despite the small size, the free-form reflector made of diecast aluminium provides excellent light output. Thanks to the non-patterned clear, hardened lens, the device shines with a state-of-the-art design. Versions for close-range illumination or with long-range illumination are available according to choice.

The use of H9 bulb gives the customer significant advantages:

- The H9 bulb offers 45% better light output than the H3 bulb
- The externally accessible bulb means direct access for electrical connection
- The bulb can be replaced from the outside, without opening changing the housing of the light

The worklight is suitable only for 12 volts.

\* in comparison with an H3 bulb

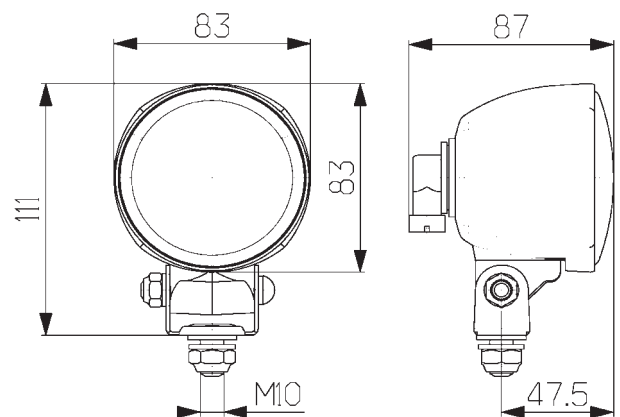
### Design:

The sturdy light housing is made of glass-fibre-reinforced plastic and is resistant to acid and corrosion.

Thanks to its compact dimensions, the worklight can be used universally.

The housing is tightly glued to the reflector and the lens. The plug-connection takes place directly via the bulb.

Fast, tool-free bulb replacement is ensured on all versions. This light is available as a surface-mounting light (depending on version: upright or pendant) and as a flush-mounting version.



Module 70 H9

### Technical Data Module 70 H9

Rated voltage (U <sub>N</sub> ):	<b>12V</b>
Recommended inclination angle:	
Ground illumination	10°-12°
Bulb:	H9
Light transmittance:	Ø 70mm
Watts:	65W
Housing:	Glass-fibre reinforced plastic
Protective category:	IP5K4K und IPX9K

### Part Numbers:

<b>Module 70 H9</b>	<b>1G0 996 176-...</b>
---------------------	------------------------

### Accessories and Spare Parts

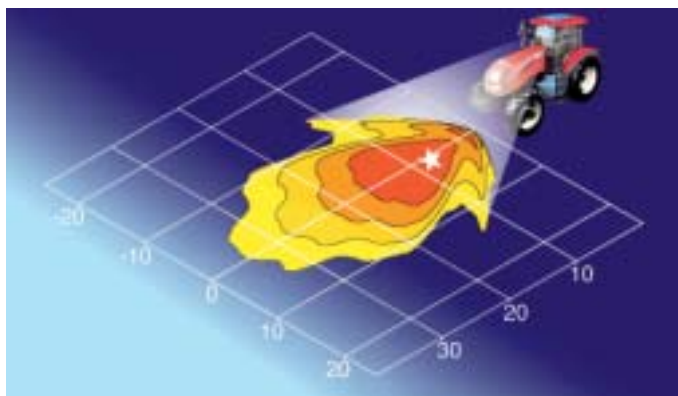
Bulb	12V 65W	<b>8HG 008 357-001</b>
Angle bracket for four-point fastening (5 pieces)		<b>9XD 990 298-011</b>
Holder for mounting to pipes Ø 15mm – Ø28 mm		<b>8HG 990 263-111</b>
Plug-housing set (20 pieces)		<b>8JD 158 175-807</b>

# Module 70 H9

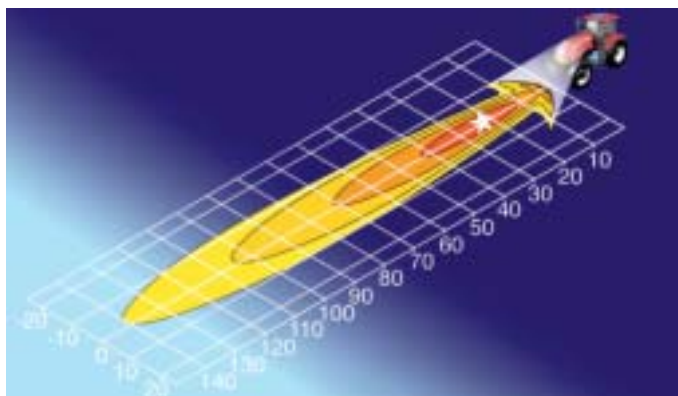
## Worklights



Part Number 1G0 996 176 ...	-061	-171	-181	-051
Long-range illumination				■
Close-range illumination	■	■	■	
12V or 24V	12V	12V	12V	12V
H9 Bulb	■	■	■	■
Upright mounting		■		■
Pendant mounting			■	
Flush-mounting	■			
Clear-glass lens	■	■	■	■
IP 5K4K	■	■	■	■
IP 5K9K	■	■	■	■
High-pressure-jet resistant	■	■	■	■
Swivel base	■	■	■	
Connection cable		2000mm	2000mm	



Close-range illumination



Long-range illumination

