

Innovative LED Technology for Extremely Long Service Life and Minimal Energy Consumption

Lighting technology:

This worklight uses four high-power LEDs as the light source. The LEDs are suitable for multi-voltage operation (12 and 24 V) or (48 V and 80 V for electric stackers) and consume a total of just 7 W. As a result, the Mega Beam LED is ideally suited to use on battery-operated vehicles, or vehicles on which the alternator is already under heavy load.

Thanks to the impact-resistant LEDs, the Module LED is also exceptionally good for applications where the worklight is exposed to heavy shocks and vibrations. In comparison with a halogen or xenon bulb, the LEDs have a very long service life, which means that the light source no longer has to be replaced.

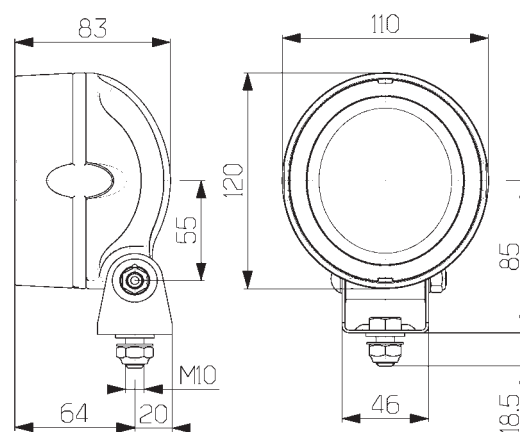
Four high-shine free-form reflectors ensure pleasant and homogeneous close-range illumination in the working area, without strong contrasts.

Housing:

The black housing of this worklight is made of aluminium and has large cooling fins. These provide the necessary heat dissipation for the four high-power LEDs. In this way, the long service life of the LED is guaranteed. Thanks to its compact dimensions, the worklight can be used universally.

The sturdy worklight is resistant to high-pressure cleaning. To protect the lens, the housing has a protruding edge at the front. The Mega Beam LED is available in versions both for upright and pendant mounting.

Power connection is via a securely mounted 2-pole cable, 2000 mm long.



Mega Beam LED

Technical Data Mega Beam LED

Rated voltage (U _N):	12-24 V	36-80 V
Recommended inclination angle:	10° - 15°	
Light-source type:	4 powerful LEDs	
Light transmittance:	83 x 92 mm	
Watts:	7 W	
Housing:	Aluminium, painted black	
Protective category:	IP5K9K	

Part Numbers:

Mega Beam LED		
Upright mounting	9-33 V	1GM 996 136-101
	36-80 V	1GM 996 136-131
Pendant mounting	9-33 V	1GM 996 136-111

Mega Beam LED

Worklights

Part Number 1GM 996 136 ...	-101	-111	-131
Close-range illumination	■	■	■
Suitable for 12 V & 24 V	■	■	
Suitable for 48 V & 80 V			■
Multivoltage	9-33V	9-33V	36-80V
LED light source	■	■	■
Upright mounting	■		■
Pendant mounting		■	
IP5K9K	■	■	■
High-pressure-jet resistant	■	■	■
Sturdy housing	■	■	■
Built-in electronics	■	■	■
Connection cable securely wired	■	■	■