

## Flexible and Corrosion-free for Homogeneous Lighting

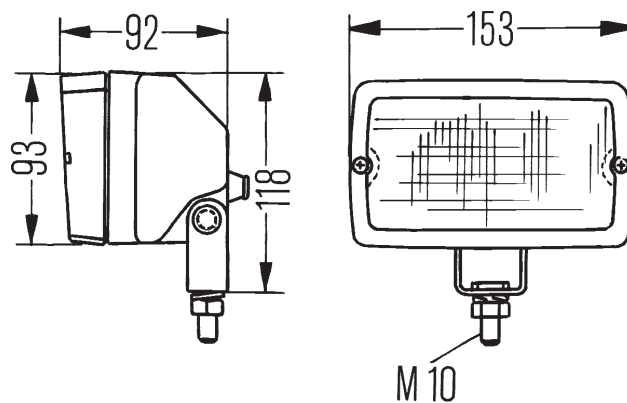
### Lighting technology:

Together with specially developed lens optics, the parabolic reflector allows homogeneous close-range lighting of the working space, or long-range illumination. An H3 bulb is used as the light source (not included in the scope of supply). The worklight can be used both with 12 V and 24 V vehicle-electric-system voltages.

### Housing:

The black housing of this sturdy worklight is made of glass-fibre-reinforced plastic, which is acid resistant and corrosion resistant. To protect the lens, the housing has a protruding edge at the front. The extremely compact dimensions allow a high degree of flexibility when choosing the mounting position. The Master is suitable both for pendant and upright mounting.

Sealing of the cable duct is carried out via a grommet.



Master

### Technical Data Master

Rated voltage (U <sub>N</sub> ):	<b>12V</b>	<b>24V</b>
Recommended inclination angle:	15°-20°	
Bulb (not included in the scope of supply):	H3	
Light transmittance:	135 x 75 mm	
Watts:	35-55W	70W
Housing:	Glass-fibre reinforced plastic	
Protective category:	IP5K4K	

### Part Numbers:

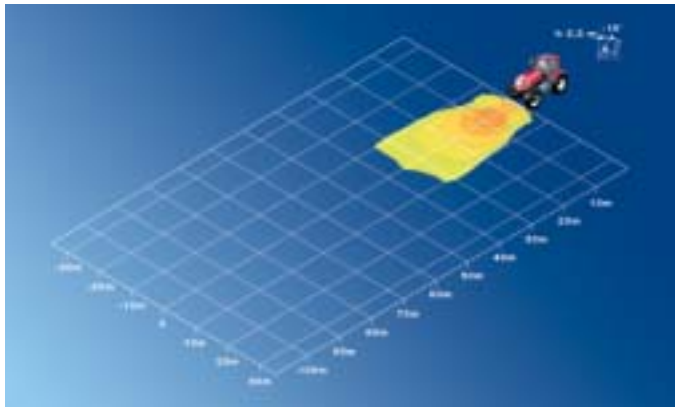
**Master** 1GA 005 060-...

### Accessories and Spare Parts

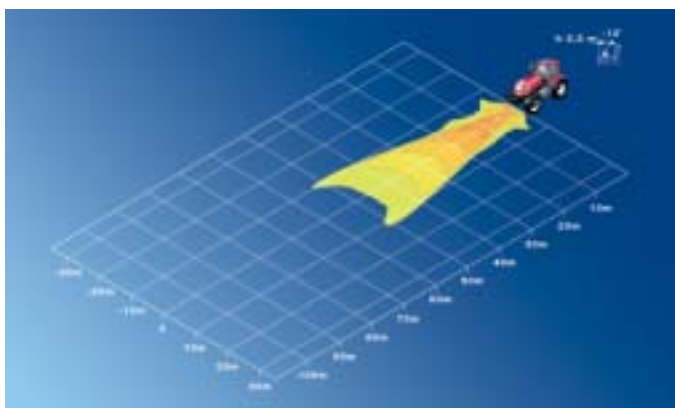
Bulb	12V	55W	<b>8GH 002 090-133</b>
	12V	35W	<b>8GH 002 090-271</b>
	24V	70W	<b>8GH 002 090-251</b>



Part Number 1GA 005 060 ...	-001	-041
Ground illumination		■
Long-range illumination	■	
Suitable for 12 V & 24 V	■	■
H3 Bulb	■	■
Upright mounting	■	■
Pendant mounting	■	■
IP 5K4K	■	■
Glass lens	■	■
Cable entry with grommet	■	■



Ground illumination 15°



Long-range illumination 12°

