

Doubly Intense Light and Especially Suited to Hazardous-goods Transport

Lighting technology:

The Double Beam offers double the light output in comparison with conventional worklights of the same package size. The double reflector uses free-form technology. In conjunction with a patterned glass lens, this ensures intense lighting of the working space in four different illuminations. Two H3 bulbs are used as the light source (not included in the scope of supply). The worklight can be used with both 12 V and 24 V vehicle-electric-system voltages.

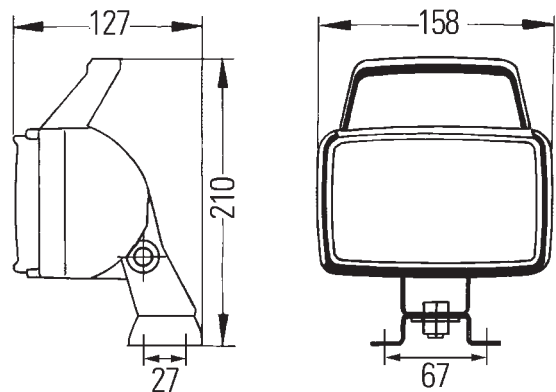
Housing:

The black housing of this sturdy worklight is made of glass-fibre-reinforced plastic, which is acid resistant and corrosion resistant. To protect the lens, the housing has a protruding edge at the front. The Double Beam FF is suitable both for pendant and upright mounting by turning the light insert 180°.

The bracket allows stable four-point fastening of the worklight.

Power connection is via a pre-fitted 250 mm-long connection cable with silicone insulation. This means that the worklight is suitable for use in the case of hazardous-goods transport.

Versions -021, -031, -061 und -081 have a handle.



Double Beam

Technical Data Double Beam

Rated voltage (U _N):	12V	24V
Bulb (not included in the scope of supply):	H3	
Light transmittance:	136 x 88 mm	
Watts:	2 x 35-55W	2 x 70W
Housing:	Glass-fibre reinforced plastic	
Protective category:	IP5K4K	

Part Numbers:

Double Beam **1GA 006 991-...**

Accessories and Spare Parts

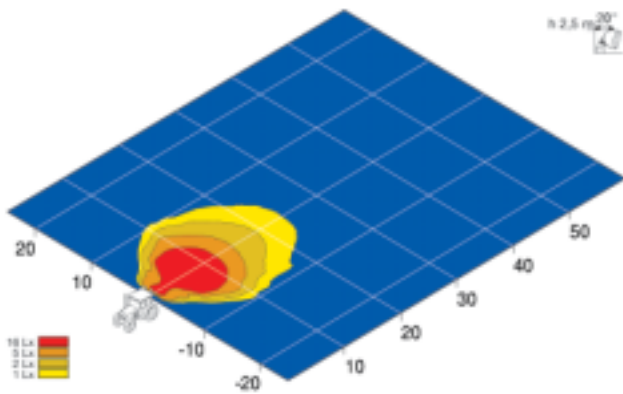
Bulb	12V	55W	8GH 002 090-133
	12V	35W	8GH 002 090-271
	24V	70W	8GH 002 090-251

Double Beam

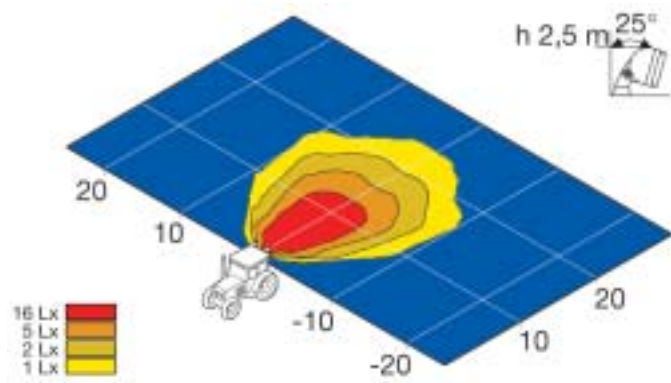
Worklights



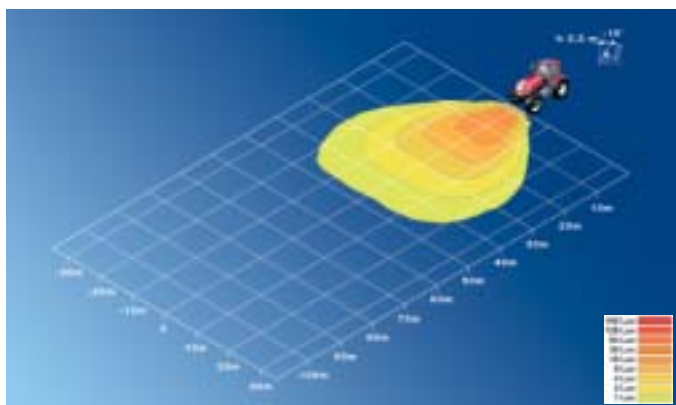
Part Number 1GA 006 991 ...	-021	-061	-031	-081	-041	-051	-071	-091
Recommended inclination angle	25°-35°	5°-20°	20°-45°	25°-45°	20°-45°	5°-20°	25°-45°	25°-35°
Ground illumination			■		■			
Close-range illumination	■							■
Object illumination				■			■	
Off-road illumination		■				■		
Suitable for 12 V & 24 V	■	■	■	■	■	■	■	■
H3 Bulb	■	■	■	■	■	■	■	■
Upright mounting	■	■	■	■	■	■	■	■
Pendant mounting	■	■	■	■	■	■	■	■
Patterned glass lens	■		■	■	■		■	■
Non-patterned glass lens		■				■		
IP 5K4K	■	■	■	■	■	■	■	■
4-point fastening	■	■	■	■	■	■	■	■
Swivel base	■	■	■	■	■	■	■	■
Approved in accordance with GGVS/ADR	■	■	■	■	■	■	■	■
Connection cable 250 mm	■	■	■	■	■	■	■	■
Glass lens	■	■	■	■	■	■	■	■
Handle	■	■	■	■				
Cable entry with grommet	■	■	■	■	■	■	■	■



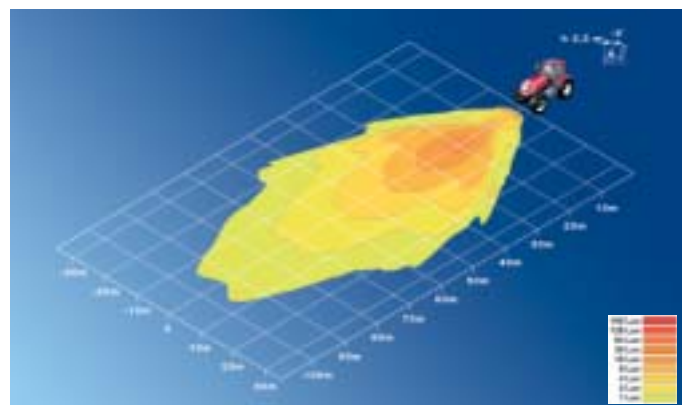
Object illumination 20°



Close-range illumination 25°



Ground illumination 15°



Off-road illumination 5°