



# BRIEF INFORMATION

## Oval 90 LED

- Attractive oval styling
- Efficient LED worklight
- Modular series – easy conversion

### PRODUCT FEATURES

The Oval 90 by HELLA is a compact worklight with attractive, modern styling. The Oval 90 worklight product range includes halogen and xenon variants. The Oval 90 LED extends the Modular Series, adding efficient LED technology.

The worklight can be operated with both 12 V and 24 V. The integral electronics protect the unit in the event of polarity reversal and guarantee constant brightness even if the operating voltage fluctuates between 9 and 33 V. Thanks to its powerful light output, the Oval 90 LED can replace standard halogen worklights (e.g. H3 / 55 Watt) – and does so, with a power consumption of just 28 watts. It makes this worklight ideal for use on battery-operated vehicles or on vehicles where the alternator is already under a heavy load.

The light output is a powerful 2,000 lumen. The light is distributed by a specially developed multi-faceted reflector, thus ensuring homogeneous illumination. The Oval 90 LED can be installed both upright (0°) and pendant (180°). At 5,700 Kelvin, the light from the LED worklight is very similar to daylight. This means that colours can be distinguished more

clearly in the dark than in the yellowish light of halogen bulbs. This makes perception through the human eye significantly easier, thus preventing the eyes tiring quickly.

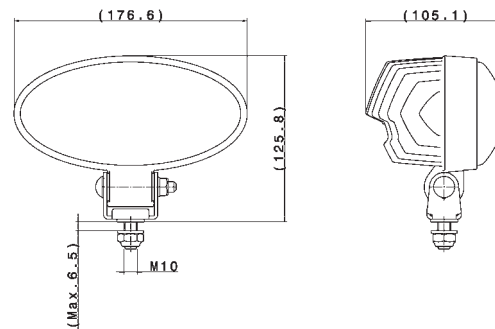
The worklight's black housing is made of aluminium and incorporates cooling fins. These ensure sufficient heat dissipation from the 10 high-power LEDs. In addition, a sensor protects the worklight from overheating, which is essential to ensure that the LEDs last for their entire design life (which is up to 130 times longer than that of a halogen bulb). The integrated electronics are inverse polarity protected and equipped with an LED fault jumper.

# TECHNICAL DETAILS

## TECHNICAL SPECIFICATIONS

Operating voltage / Rated voltage	9–33 V
Recommended inclination	Near field: 12°, Wide: 5°
Light source type	10 High-power LEDs
Power consumption	28 W
Light performance	2,000 lm
Colour temperature	5,700 Kelvin
Protection class	IP 6K9K und IP 6K7
Type approval	Ⓜ
Housing	Aluminium die cast

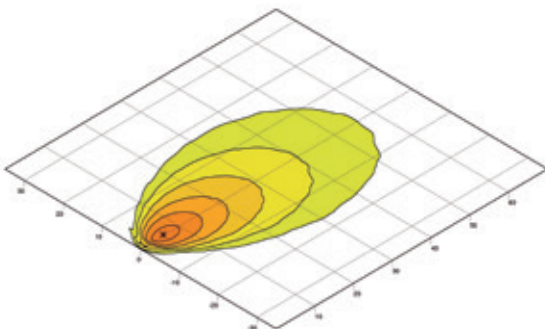
## Technical Drawing



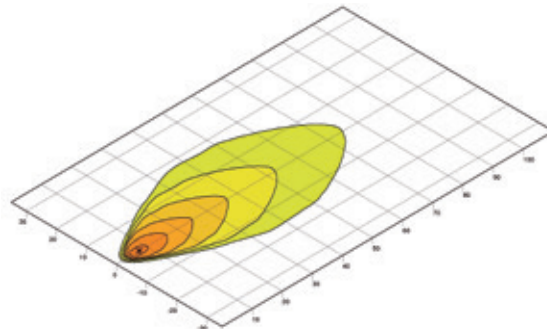
# RANGE OVERVIEW

Purchase number 1GB 996 386 ...	-001	-011	-021
Close-range illumination	x	x	–
Long-range illumination	–	–	x
Upright surface-mounting	x	x	x
Suspended mounting	x	x	x
Swivel base	x	x	x
Recommended inclination	12°	12°	5°
Deutsch plug	x	–	x
HB3 plug connection	–	x	–
Nylon lens	x	x	x
IP6K9K	x	x	x
IP6K7	x	x	x
Integrated electronics	x	x	x
Overheating protection	x	x	x
Polarity reversal protection	x	x	x

# LIGHTING



Close-range illumination



Long-range illumination

