



To the product video

BRIEF INFORMATION

Compact full-LED rear lamp 328 630

- › Rear lamp with 5 light functions in 100 % LED technology
- › With the tail light in "Glowing Body" technology for particularly homogeneous illumination and with dynamic direction indicator light
- › Robust and compact design for tough demands

PRODUCT FEATURES

The innovative full-LED rear lamp 328 630 from FORVIA HELLA covers all five light functions required at the rear of the vehicle – and it does so exclusively with LEDs.

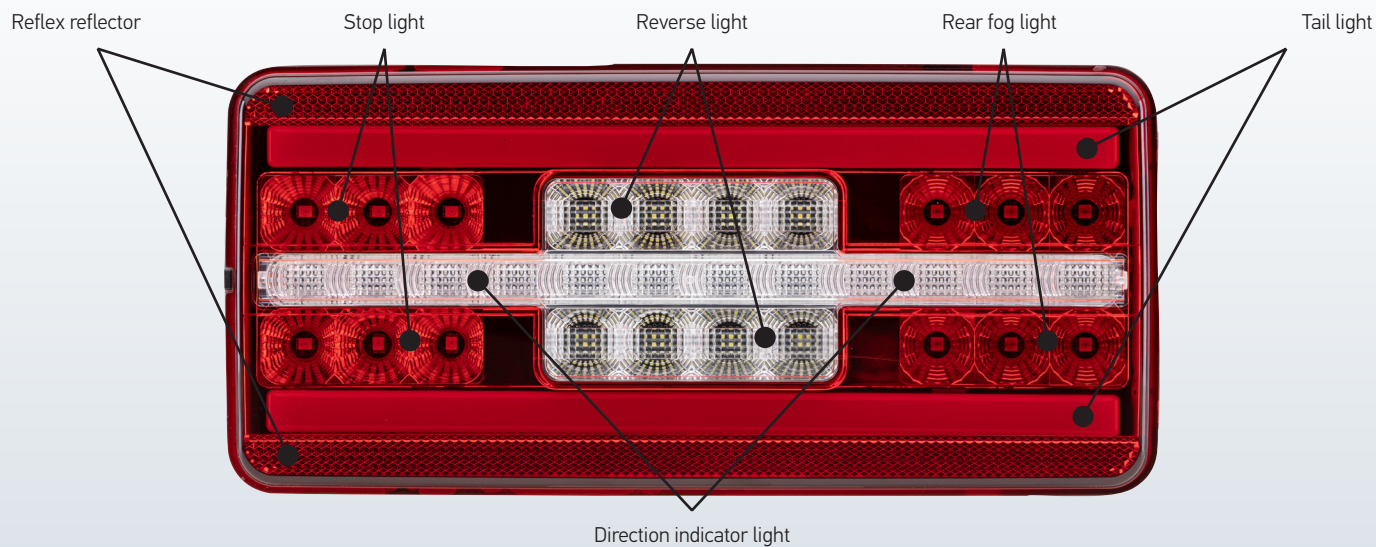
The tail light's "Glowing Body" technology is particularly eye-catching. The full-LED rear lamp 328 630 produces two flat, homogeneous light strips. Thanks to this technology, the tail light also looks very pleasant to the traffic behind.

The full-LED rear lamp's design is extremely compact. With installation dimensions of only 225 x 105 x 35 mm, it requires very little space and is also available in a horizontal and vertical version. As a result, it offers a lot of flexibility and maximum design scope.

Both versions of the lamp generate an electronic ISO pulse for the direction indicator failure control. The horizontal version has a wiping direction indicator light.

Another typical feature of FORVIA HELLA's LED lamps is that they are extremely robust. The LED modules of the full-LED rear lamp 328 630 are completely sealed. The polycarbonate external lens is two-tone (red and clear) and impact resistant, meaning that the lamp can withstand tough everyday use with ease.

LIGHT FUNCTIONS



Tail light



Stop light



Reverse light



Rear fog light

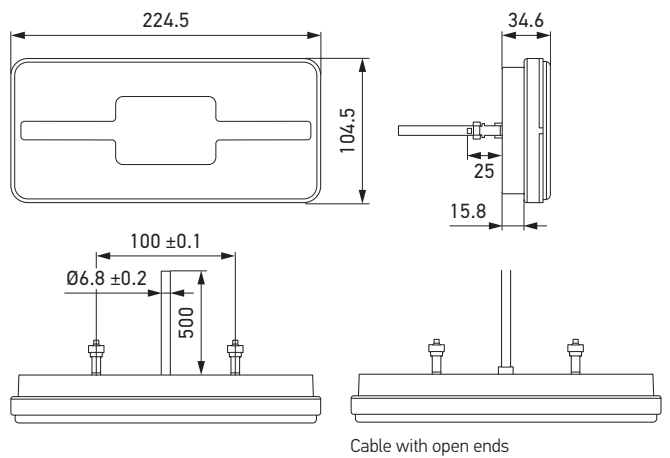


Direction indicator light

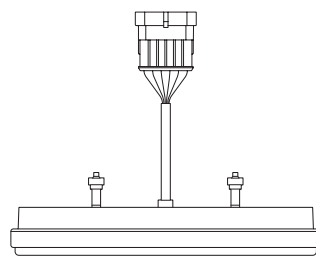
TECHNICAL DETAILS

Technical data			
Operating voltage range	Multi-voltage (9–32 V) Rear fog light: Multi-voltage (10,5–32 V)		
Rated voltage	12 V and 24 V		
Current consumption		13.5 V	28 V
	Tail light	min. 131 mA max. 220 mA	min. 80 mA max. 128 mA
	Stop light	min. 91 mA max. 122 mA	min. 59 mA max. 77 mA
	Direction indicator light	min. 213 mA max. 320 mA	min. 120 mA max. 176 mA
	Reverse light	min. 194 mA max. 276 mA	min. 106 mA max. 150 mA
	Rear fog light	min. 139 mA max. 207 mA	min. 81 mA max. 118 mA
Light function	Tail light, stop light, direction indicator light, reverse light, rear fog light and reflex reflectors		
Light source	Tail light: 30 LEDs Stop light: 6 LEDs Direction indicator light: 12 LEDs Reverse light: 8 LEDs Rear fog light: 6 LEDs		
Material	External lens: polycarbonate		
Weight	420 g		
Protection class	IP 6K9K		
Approved	ECE-R10, ECE-R148, ADR / GGVSEB		
Mounting	2 x M6 stud bolt (length: 25 mm / distance: 100 mm)		
Connection	500 mm cable with open ends 150 mm cable with AMP-SUPERSEAL connector 280 mm cable with DEUTSCH DT connector		

Dimensional sketch



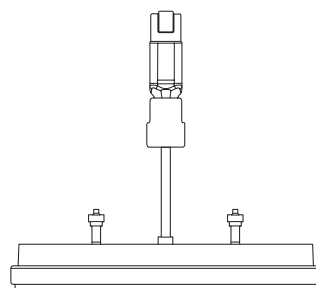
AMP SUPERSEAL connector



Pin assignment

-
- Pin 1: Direction indicator
 - Pin 2: Rear fog light
 - Pin 3: Ground
 - Pin 4: Reverse light
 - Pin 5: Tail light
 - Pin 6: Stop light



DEUTSCH DT connector



Pin assignment

-
- Pin 1: Direction indicator
 - Pin 2: Stop light
 - Pin 3: Tail light
 - Pin 4: Reverse light
 - Pin 5: Ground
 - Pin 6: Rear fog light

PROGRAM OVERVIEW

Product image	Version	Mounting side	Direction indicator light	Connector type	Part number
	Horizontal	Right and left*	Wiping	Open ends	2VP 328 630-011
				AMP SUPERSEAL connector	2VP 328 630-031
				DEUTSCH DT connector	2VP 328 630-041
	Vertical	Right and left	Flashing	Open ends	2VP 328 630-021

* The lamp can be rotated 180°, making it suitable for left and right surface mounting.

ACCESSORIES

Description	Part number
Basic control unit	
12 V	5DS 227 488-001
24 V	5DS 227 488-101
Premium control unit	
12 V (1 stop light channel)	5DS 227 489-001
12 V (2 stop light channels)	5DS 227 489-011
24 V (1 stop light channel)	5DS 227 489-101