

FORVIA



To the product video

BRIEF INFORMATION

Full LED rear lamp for 24 V truck and trailer

- › Full LED solution with innovative, patented LED light curtain for tail light function and dynamic LED direction indicator light
- › Robust and compact design for the toughest demands
- › High degree of flexibility for future topics thanks to modular design

PRODUCT FEATURES

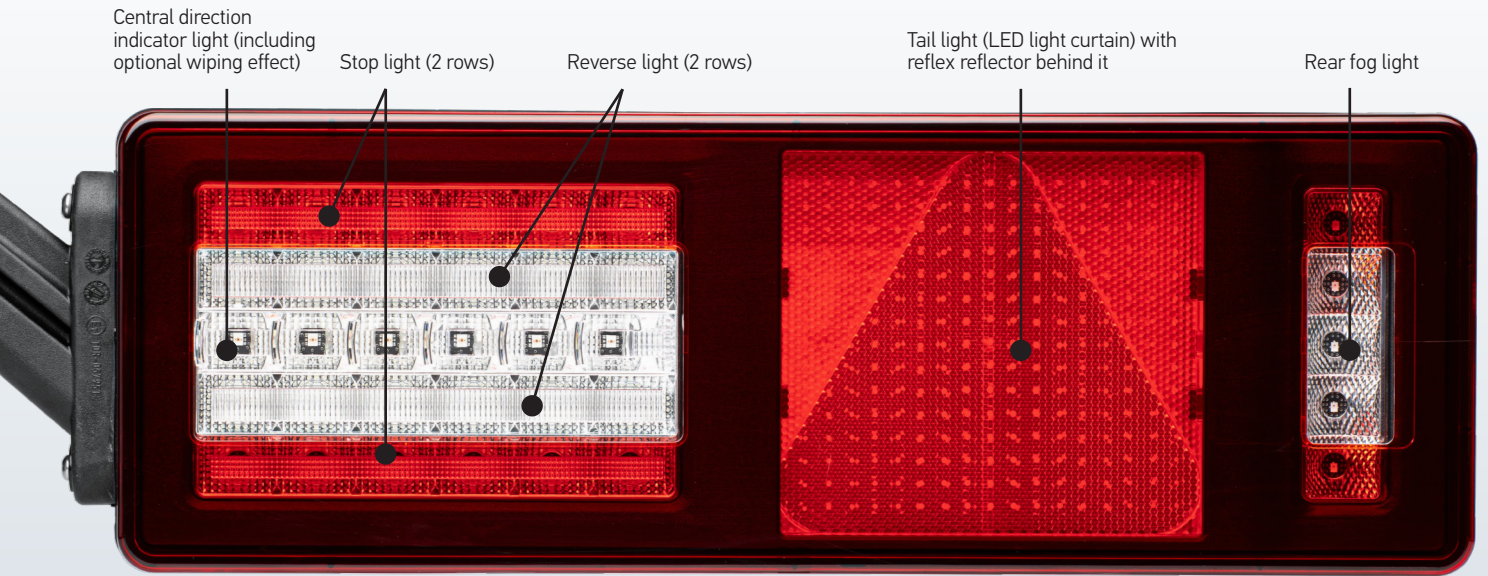
The full LED rear lamp for 24 V truck and trailers impresses at first glance with its innovative design. The patented LED light curtain is particularly striking with a surface area of 144 cm² for the tail light and the reflex reflector behind it, as well as the dynamic direction indicator light. Due to the large light surface, it ensures optimal visibility of the vehicle, which guarantees a high level of safety.

The new rear lamp is also exceptionally robust. The lens is bonded to the housing and the two colour polycarbonate (PC) external lens is impact-resistant. Overall, the rear lamp achieves protection class IP 6K9K, which means that it is not only dustproof but also high-pressure jet cleaner resistant. With a size of 410 x 140 mm and an installation depth of just 55.5 mm, it is also extremely compact.

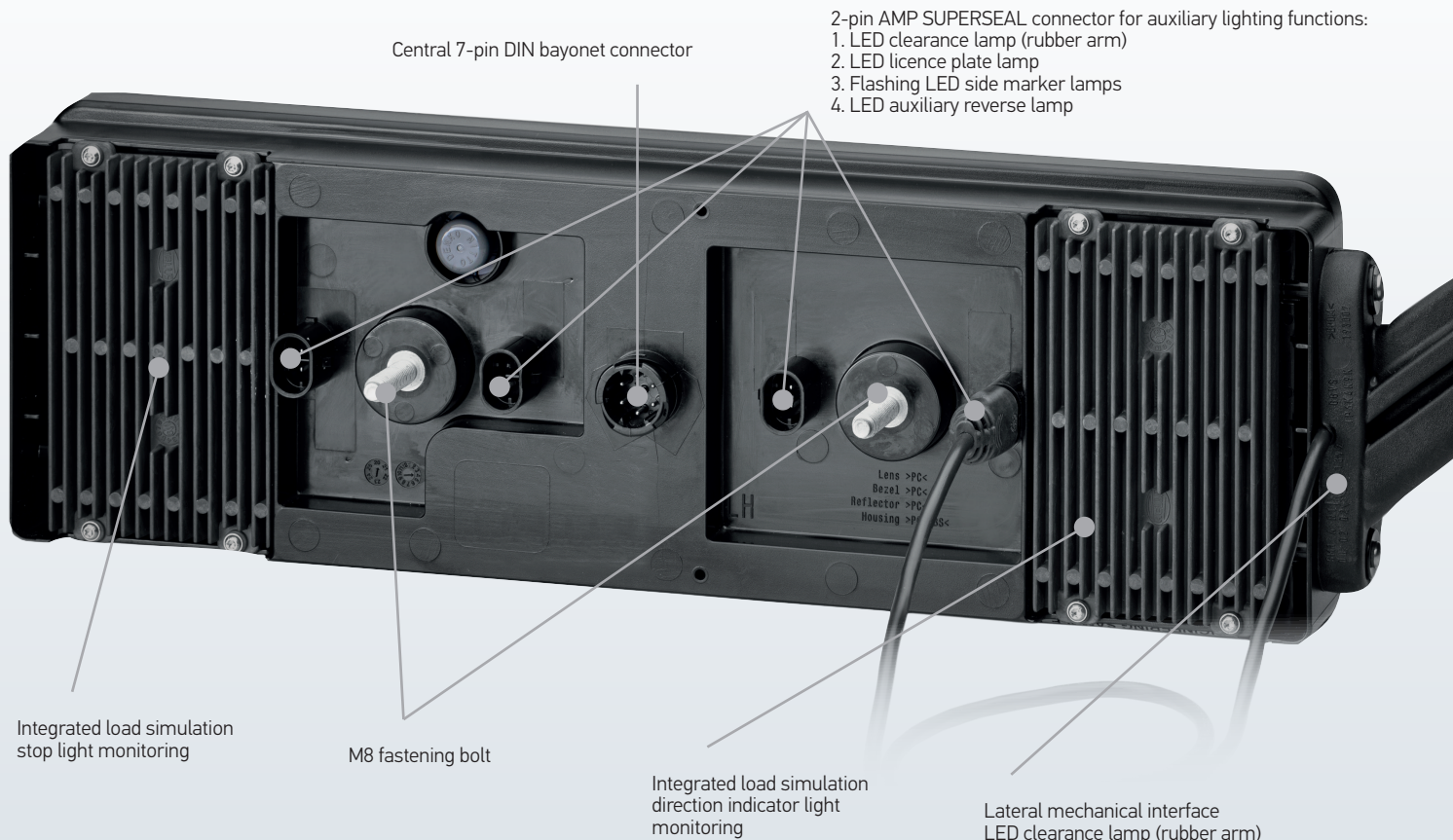
The electronics also meet the highest demands. The high-performance LEDs enjoy a long lifetime and low power consumption. In addition, control for the flashing side marker lamps, direction indicator failure control and load simulation for the stop and direction indicator lights are integrated into the system. This ensures a high level of compatibility.

Another advantage of the rear lamp is its future viability. It has a mechanical interface for sensor technology, meaning that ultrasonic sensors can be connected on both sides, for example.

DISTRIBUTION OF THE LIGHT FUNCTIONS



OVERVIEW OF CONNECTORS AND CONNECTIONS

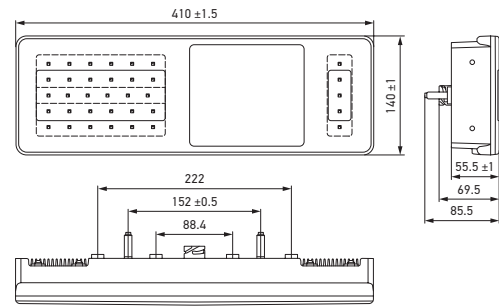


TECHNICAL DETAILS

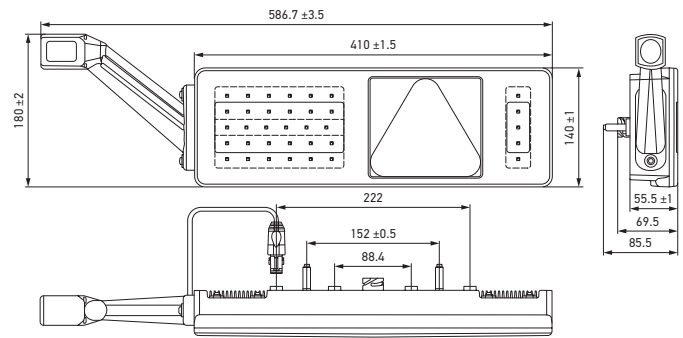
Technical data	
Operating voltage range	Single-voltage (18–32 V)
Rated voltage	24 V
Light function ^[1] Current consumption ^[2] Power consumption ^[3] Amount of LEDs ^[4]	[1] [2] [3] [4]
	Tail light 0.1 A 2 W 12 red
	Stop light 1.1 A 26 W 12 red
	Direction indicator light 1 A 24 W 6 amber
	Reverse light 0.15 A 3 W 12 white
	Rear fog light 0.07 A 1.6 W 5 red
Material	Housing: PC-ABS Cover lens: Two colour external lens made of polycarbonate (PC)
Weight	~ 1,900 g
Temperature range	-40 °C to +50 °C
Protection class	IP 6K9K
Approved	ECE-R148, ECE-R150, ECE-R10, ADR / GGVSEB
Protection	Overvoltage protection, direction indicator failure control
Mounting	With M8 fastening bolts
Connection	Central 7-pin DIN bayonet connector, AMP SUPERSEAL 2-pin connector for auxiliary lighting functions

Dimensional sketch

Trucks



Trailers



PROGRAM OVERVIEW

Version	Surface mounting	Functions						Part number	PU*	
		Direction indicator		Rubber arm	Load simulation		Electronics for flashing side marker lamps		...1	...7
		Flashing	Wiping		Direction indicator light	Stop light				
Truck	left/right	x	–	–	–	–	–	2VP 340 970-70...	1 pcs.	–
Truck	left/right	–	x	–	–	–	–	2VP 340 970-71...	1 pcs.	–
Trailer	left	x	–	x	–	–	–	2VP 340 970-03...	1 pcs.	8 pcs.
Trailer	right	x	–	x	–	–	–	2VP 340 970-04...	1 pcs.	8 pcs.
Trailer	left	–	x	x	–	–	x	2VP 340 970-33...	1 pcs.	8 pcs.
Trailer	right	–	x	x	–	–	x	2VP 340 970-34...	1 pcs.	8 pcs.
Trailer	left	x	–	x	x	x	x	2VP 340 970-43...	1 pcs.	8 pcs.
Trailer	right	x	–	x	x	x	x	2VP 340 970-44...	1 pcs.	8 pcs.
Trailer	left	–	x	x	x	x	x	2VP 340 970-53...	1 pcs.	8 pcs.
Trailer	right	–	x	x	x	x	x	2VP 340 970-54...	1 pcs.	8 pcs.

* PU = packaging unit; 1 piece is delivered in a single carton and 8 pieces in an outer carton.