



BRIEF INFORMATION

M133 LED

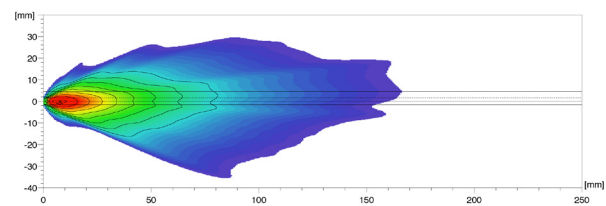
- › LED headlamp for easy conversion from halogen to LED
- › Low beam, high beam and position light in a single headlamp
- › Available as installation and surface-mounting version

PRODUCT FEATURES

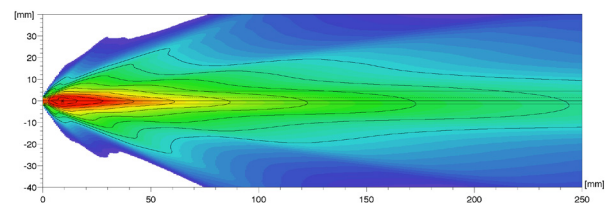
HELLA's M133 LED headlamp enables an easy conversion from halogen to LED technology. As a combination headlamp with low beam and high beam, it features the advantage of low beam and high beam being combined in one housing. Furthermore, the headlamp is available with or without position light and as installation or surface-mounting version.

The robust aluminum housing provides ideal and reliable protection for the headlamps against shocks and vibrations and thus withstands the rough conditions such as those in the agricultural and construction machinery industry.

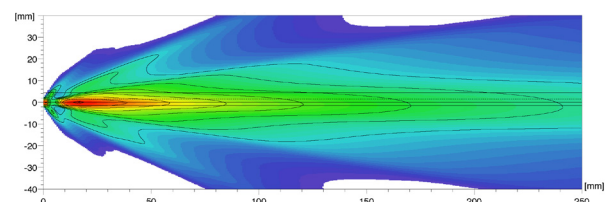
LIGHT DISTRIBUTION



Low beam: Simultaneous, Independent



High beam: Simultaneous



High beam: Independent

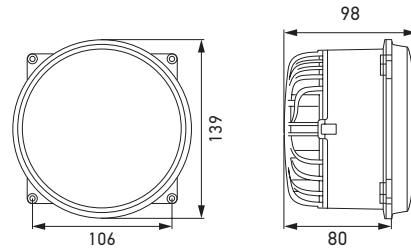


TECHNICAL DETAILS

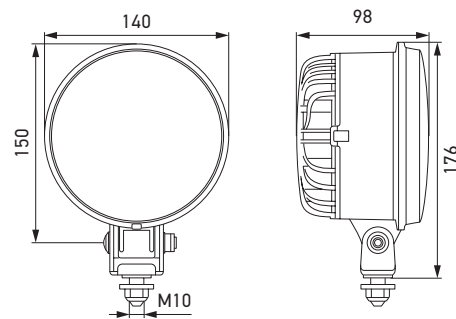
Technical data	
Operating voltage range	Single-voltage (9 – 16 V)
Rated voltage	12 V
Power consumption	High beam: 13 W Low beam: 13 W Simultaneous switching: 26 W Position light: 1.5 W
Light source	LED
Colour temperature	6.000 K
Material	Heat sink: die-cast aluminum Carrier housing: glass-fibre reinforced plastic Lens: glass Reflector: PC
Weight	Installation: approx. 860 g Surface-mounting: approx. 1,055 g
Protection class	IP 6K9K, IP 6K7
Approved	ECE-R10, ECE-R113, FMVSS 108
Compliant	ASABE S0608
Protection	Polarity reversal protection, overheating protection
Mounting	Installation or surface-mounting DEUTSCH DT connector
Connection	Pin assignment: PIN 1 = PO PIN 2 = A PIN 3 = Ground PIN 4 = F (For version without position light, PIN 1 is empty)
Manufactured in	Austria

Dimensional sketch

Installation version



Surface-mounting version



PROGRAM OVERVIEW

1S3 996 362-...	-001	-011	-101	-111	-201	-211	-301	-311
With position light	x	x			x	x		
Without position light			x	x			x	x
Independent*		x		x		x		x
Simultaneous*	x		x		x		x	
Surface-mounting					x	x	x	x
Installation	x	x	x	x				
ECE-R113	x	x	x	x	x	x	x	x
FMVSS108	x		x		x		x	
ECE-R10	x	x	x	x	x	x	x	x
ECE-R7.02	x	x			x	x		
SAE J222	x	x			x	x		

* Simultaneous: High beam can only be switched on in combination with low beam. Low beam can also be switched on alone. Position light can be switched on at any time.

* Independent: Low beam and high beam can only be switched on separately. Position light can be switched on at any time.

Suitable for vehicle classes: L (motorised vehicles with less than 4 wheels), T (agriculture and forestry vehicles).