



BRIEF INFORMATION

K-LED 1.2 Beacon

- › Rotating or flashing LED light function
- › One brightness level, double lighting system
- › Large light exit area
- › Long lifetime

PRODUCT FEATURES

The K-LED 1.2 is an innovative expansion to the K-LED family. It is available as a rotating or flashing variant. The dual lighting system in the K-LED 1.2 provides for a larger light exit area, making it especially effective at providing a warning function. And the K-LED 1.2 needs no moving parts – replacement of wearing parts is unnecessary. As a result, the beacon features a long service life.

The shock-resistant dome made of polycarbonate guarantees particularly reliable protection against impacts (e.g. from branches). Wireless signals are not disrupted by the K-LED 1.2 as it has a high resistance to electromagnetic interference. Optimal adaptation of the K-LED 1.2 to its application areas is ensured by three DIN 14620 and SAE attachment options: Fixed mounting (Ø 130 mm and Ø 150 mm), pipe socket and magnetic attachment.

EXPANSION OF THE K-LED FAMILY

The individual functions of the beacon family can be derived from how they are named.



The **K-LED 2.0** has

2 = _____
2 kinds of warning signals

You can change between rotating or flashing warning signals using either a switch or programming.

2 brightness levels

(ECE-R65 TA2 / SAE J845 Class 1)

Thanks to an integrated light sensor, switching between day and night mode happens automatically.

0 = _____
Simple lighting system



The **K-LED 1.2** has

1 = _____
1 warning signal

It is available as a rotating or flashing variant.

1 brightness level

(ECE-R65 TA1 / SAE J845 Class 1)

2 = _____
The dual lighting system provides for a larger light exit area, making it especially effective at providing a warning function.

APPLICATION EXAMPLES



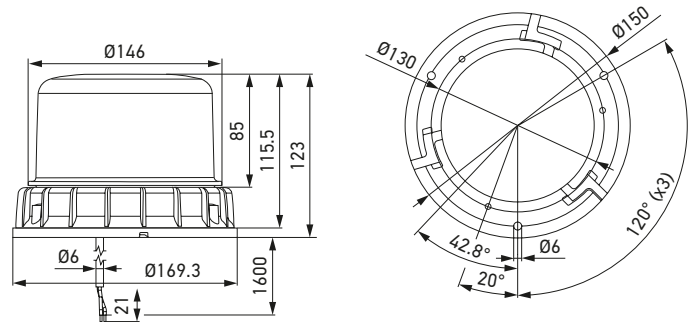
TECHNICAL DETAILS

Technical data

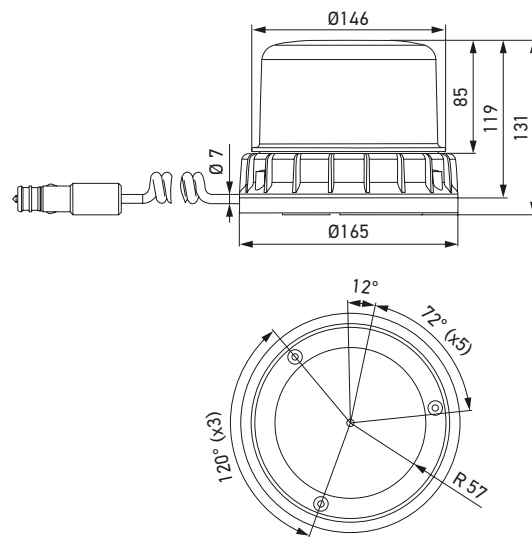
Operating voltage range	Multi-voltage (10 – 30 V)
Rated voltage	12 V and 24 V
Current consumption	Rotating: approx. 1.6 A (12 V), approx. 0.8 A (24 V) Flashing: approx. 1.8 A (12 V), approx. 0.9 A (24 V)
Power consumption	Rotating: approx. 20 W Flashing: approx. 22 W
Light function	Rotating or flashing
Material	Dome: Polycarbonate
Temperature range	-40°C to +60°C
Protection class	IP 6K7, IP 6K9K
Approved	ECE-R10, ECE-R65 TA1 (amber), ECE-R65 TB1 (blue), ECE-R65 TR1 (red), ADR/GGVSEB
Compliant	RCM, CISPR 25 Class 5, SAE J845 Class 2
Protection	Polarity reversal protection
Mounting	Upright

Dimensional sketch

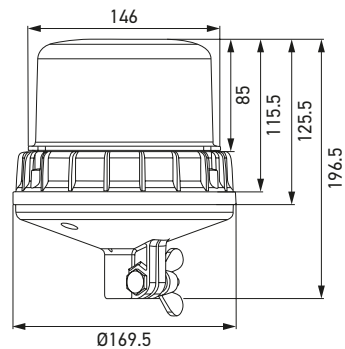
Fixed attachment (F)






Magnet mounting (M)



Pipe socket mounting (P)











PROGRAM OVERVIEW

Product picture	Part number, Rotating	Part number, Flashing	Description
	2RL 012 983-301	2XD 012 984-301	Fixed attachment (F), amber
	2RL 012 983-401	2XD 012 984-401	Pipe socket mounting (P), amber
	On request	On request	Magnetic attachment (M), amber

Red and blue available on request.

RECOMMENDED ANCILLARY PRODUCTS

Product photo	Description	Part number
	Pipe socket adapter	8HG 005 436-041
	Support pipe to be welded on, straight, 100 mm long	1-pin 8HG 002 365-001 2-pin 8HG 006 294-101
	Support pipe with base to be bolted on, total height 126 mm	1-pin 8HG 006 294-011 2-pin available on request
	Support pipe, angled, with base for bolting on the side, clearance 90 mm, height 100 mm	1-pin 8HG 006 294-021 2-pin 8HG 006 294-221
	Support pipe, angled, with base for bolting on the side, clearance 50 mm, height 100 mm	1-pin 8HG 006 294-111 2-pin available on request
	Support pipe for inclined mounting surfaces, beacon adjustable parallel to the roadway, height approx. 105 mm	1-pin 8HG 006 294-031 2-pin 8HG 006 294-141
	Support pipe with screw attachment, height ca. 100 mm	1-pin 8HG 006 294-051 2-pin 8HG 006 294-091
	Support pipe with 2 screw holes for attaching to the back of the cab, with telescopic bracket, total height ca. 1000 mm, can be displaced by up to 700 mm	1-pin 8HG 006 294-041 2-pin available on request