



BRIEF INFORMATION

LED rubber arm clearance lamp

- › For trailers, semi-trailers and special vehicles
- › Light head protected by flexible rubber trim
- › Clear lens made of shatterproof PMMA

PRODUCT FEATURES

High vibration resistance

Due to its design, this end-outline marker is very vibration-resistant and also shock-resistant. The rubber arm always returns to the "0" position, even following impacts, and ensures that the light also remains stable even at higher speeds.

Additional protection

The rubber trim provides additional protection for the light head against damage.

Low power consumption

Compared to bulb versions, these LED versions feature a lower current consumption and a longer design life.

Contacting

Establishing of contact is possible with all the usual plug connectors. Diverse cable lengths complete the program making this light suitable for a wide variety of applications.

LED LIGHTING TECHNOLOGY

As an innovation leader in the field of automotive original equipment, FORVIA HELLA is now setting new standards in LED lighting technology.

The benefits of modern LED lighting technology at a glance:

Extremely low energy consumption

With the combination of efficient light-emitting diodes (LEDs) and precision optics, FORVIA HELLA lights achieve the statutory light distribution with 85 % less power consumption compared to bulbs!

No change of light source, no maintenance and an extremely long operating time thanks to competent thermal management.

To extend the design life of the light, all components are arranged in a way that optimises the temperature conditions. This prevents overheating of the LEDs at extremely high temperatures. This thermal management maximises the design life.

The service life of these LED lamps corresponds to that of the vehicle.



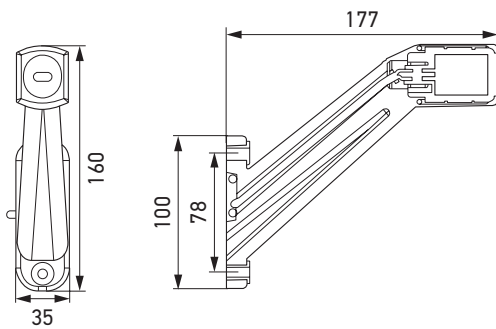
TECHNICAL DETAILS

Technical data

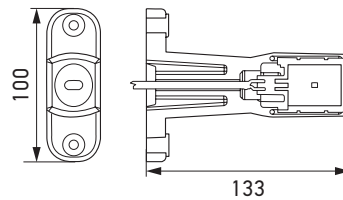
Rated voltage	12 V and 24 V
Power consumption	1.8 W
Light function	Clearance light
Light source	4 LEDs
Temperature range	-40 °C to +50 °C
Protection class	IP 6K9K
Approved	ECE-R7, ECE-R91, ECE-R10, ADR / GGVSEB
Protection	Overvoltage protection,
Connection	EasyConn 2-pin, Quicklink connector, AMP-SUPERSEAL plug, 6.3 mm blade terminal sleeve or open cable ends

Dimensional sketch

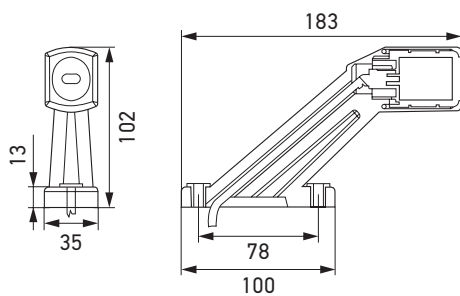
Vertical installation



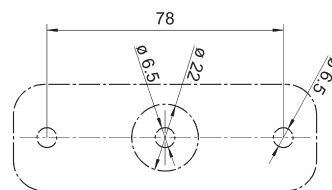
Short version



Horizontal installation



Hole pattern



PROGRAM OVERVIEW

Product picture	Connection	Mounting type *	Cable length	Part number
 vertical	EasyConn 2-pin male connector housing, angled	Left	500 mm	2XS 011 744-011/7
		Right		2XS 011 744-021/7
	EasyConn 2-pin female connector housing	Right	500 mm	2XS 011 744-101/7
		Left		2XS 011 744-111/7
	Quicklink connector	Left	500 mm	2XS 011 744-071/7
		Right		2XS 011 744-081/7
	Quicklink connector	Right	1,000 mm	2XS 011 744-181
		Left		2XS 011 744-191
	AMP SUPERSEAL connector	Left	2,000 mm	2XS 011 744-051/7
		Right		2XS 011 744-061/7
	AMP SUPERSEAL connector	Right	800 mm	2XS 011 744-201/7
		Left		2XS 011 744-211/7
	Blade terminal sleeve 6.3 mm	Left	3,000 mm	2XS 011 744-031/7
		Right		2XS 011 744-041/7
Blade terminal sleeve 6.3 mm	Right	150 mm	2XS 011 744-161/7	
	Left	300 mm	2XS 011 744-171/7	
 horizontal	EasyConn 2-pin female connector housing	Left	500 mm	2XS 011 769-011/7
		Right		2XS 011 769-021/7
	Quicklink connector	Left	670 mm	2XS 011 769-091
		Right		2XS 011 769-101
	EasyConn 2-pin male connector housing, angled	Left	500 mm	2XS 011 769-617
		Right		2XS 011 769-627
	Blade terminal sleeve 6.3 mm	Left	3,000 mm	2XS 011 769-707
		Right		2XS 011 769-687
	Open cable ends	Left	300 mm	2XS 011 769-697
		Right	150 mm	2XS 011 769-677
 short	EasyConn 2-pin male connector housing, angled	–	500 mm	2XS 011 768-011/7
	EasyConn 2-pin female connector housing	–	500 mm	2XS 011 768-021/7
	Quicklink connector	–	500 mm	2XS 011 768-001/7
	AMP SUPERSEAL connector	-	2,000 mm	2XS 011 768-031
	Blade terminal sleeve 6.3 mm	Right	3,000 mm	2XS 011 768-061/7
		Left	2,000 mm	2XS 011 768-071/7
	DEUTSCH plug 2-pin	–	485 mm	2XS 011 768-117
	Open cable ends	Right	150 mm	2XS 011 768-647
Left		300 mm	2XS 011 768-657	

* All variants can be mounted on both sides (turned around). The indicated mounting variant is only the most common.