



BRIEF INFORMATION

Rotatory actuators for high forces

- Electrical locking /unlocking and closing
- Very high positioning forces
- Robust and compact design
- Interference suppression Class 3
- Universal interface for Bowden cable
- For universal use

PRODUCT FEATURES

Application

The actuator is particularly suitable for locking and closing applications where High Forces are required.

Examples include:

- Large locks and
- Large flaps
- Seat release

Where a Bowden cable is used, the actuator can also work without being attached to the vehicle body, since it is fixed to the application by means of the Bowden cable sleeve. The actuator can be embedded in a foam body for the purpose of noise insulation.

Design and function

This electromotive actuator is driven by a DC motor with rotary output. The actuator is operated by applying a voltage via a 2-pin connector with the contacts „+“ and „Ground“. It is reset by simply reversing the polarity or, alternatively, automatically via a spring. Direction of rotation and running time are defined by the control unit. The actuator can be attached to three connection points.

TECHNICAL DETAILS

Technical data

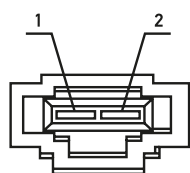
| Article number | 6NW 009 424-781 | 6NW 009 424-791 6NW 009 424-777 ²⁾ |
|--|--|--|
| Function | Electrical rotation (left), return by spring (right) | Electrical rotation to right and left |
| Mainspring reset | Available | None |
| Weight | | 181 g |
| Rated voltage | | 12 V |
| Voltage range | | 9–16 V |
| Maximum current consumption (stall current) | ≤ 10.5 A | ≤ 6 A |
| No-load/idling current | ≤ 1.5 A | ≤ 0.4 (≤ 0.45) A |
| Speed at rated load | $U_p / RT \geq 41$ (≥ 39) rpm | $U_p / RT \geq 12$ (≥ 10) rpm |
| Rated torque | 150 Ncm | 300 Ncm |
| Functional angle | | 0° to 198° |
| Tensile path | | Approx. 45 mm |
| Rated speed (at rated load and room temperature) | 32 min ⁻¹ | 15 min ⁻¹ at RT and 13 V |
| Manual adjustment | | None |
| Thermal overload protection | Available | Not available |
| Operating temperature | | -40°C to +85°C |
| Lifetime | 8,000 switching cycles | 50,000 switching cycles |
| Conducted electromagnetic interference | | < -75 V |
| Interference suppression (in all ranges) | | Intensity level 3 |
| Protection class | | IP 5K0 |
| Vibration resistance (IEC 68-2-64) | | 3 g _{eff.} |
| Housing material (top side) | | PP-GF30 |
| Housing material (bottom side) | | PP-GF30 |
| Pin coating | | Tin |
| Mating connector ¹⁾ | | AMP C1355390 |

¹⁾ These accessories are not included in the scope of delivery. Available from TE Connectivity.

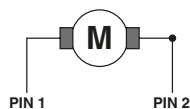
²⁾ As -791 but without shaft, without cable sheave and without metal clip.

Pin assignment / electrical connection

6NW 009 424-781

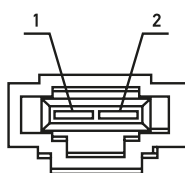


Electrical rotation to the left
Reset by spring to the right

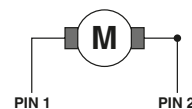


| | |
|---|---|
| + | - |
| 0 | 0 |

6NW 009 424-791 / -777



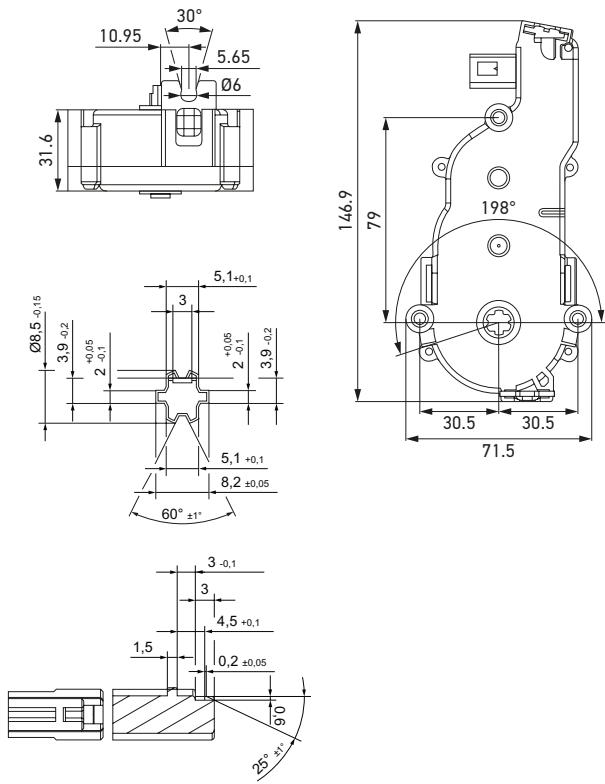
Electrical rotation to the right
Electrical rotation to the left



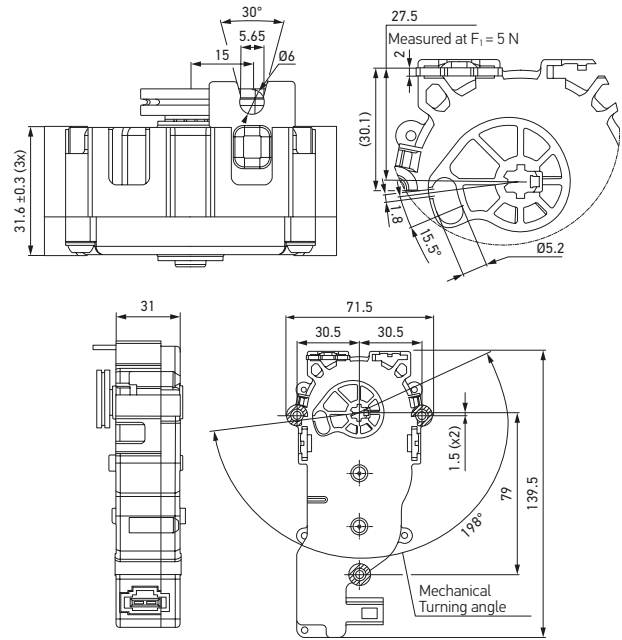
| | |
|---|---|
| + | - |
| - | + |

Technical drawing

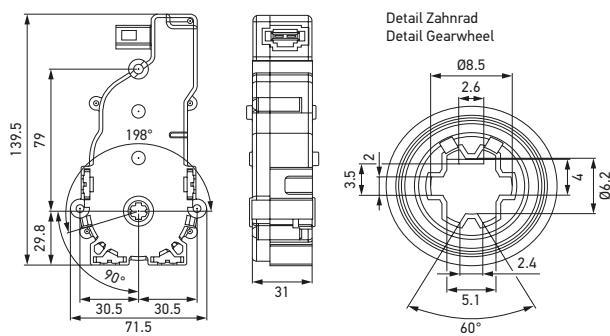
6NW 009 424-781






6NW 009 424-791



6NW 009 424-777



PROGRAM OVERVIEW

| Product picture | Function | Torque | Article number | Packaging unit |
|---|---|---------|------------------------|----------------|
|  | Retraction via spring, extension electric | 150 Ncm | 6NW 009 424-781 | 1 |
|  | Retraction and extension electrical | 300 Ncm | 6NW 009 424-791 | 1 |
|  | Retraction and extension electrical, without shaft, without cable sheave and without metal clip | 300 Ncm | 6NW 009 424-777 | 70 |