



BRIEF INFORMATION

Full Tone Horn B36

- Ideal for commercial vehicles
- Membrane to protect against penetrating humidity
- Fully harmonious sound across long distances in road traffic
- Optimum tone colour when a treble and bass set is installed
- Optional Teflon pill to protect against humidity
- Variants with additional interference suppression available
- Wide-voltage range available

PRODUCT FEATURES

Application

Horns are a mandatory part of the safety equipment of a vehicle. A particularly perceptible sound is necessary in order to be able to warn other road users optimally in dangerous situations. Our signal horns offer you a high level of functional reliability.

Design and function

- The driver presses the "horn" on the steering wheel.
- The signal is sent via a relay, thus activating the electromagnet.
- The diaphragm of the horn is now attracted by the magnet, separating the Minus Pole from the battery so that the magnet loses its power – consequently, the diaphragm returns back to its rest position. However, this will reconnect the Minus pole, so this process will be repeated as long as the horn is pressed.
- When the horn is pressed, the vibrations are very fast and so produce the loud sound.

TECHNICAL DETAILS

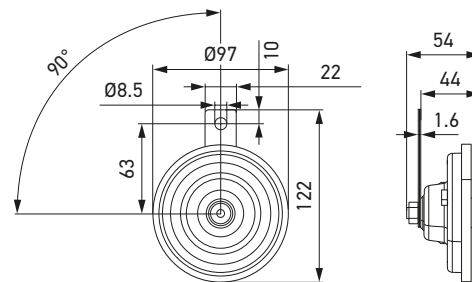
Technical data

Diameter	97 mm / 113 mm
Nominal voltage	12 V / 24 V / 48 V / 80 V
Frequency range	335 Hz (low tone) 400 Hz (high tone)
Sound pressure level @ 2 m	115 ± 3 dB(A)
Power consumption	72 W (12 V) 72 W (24 V) 64 W (48 V) 48 W (80 V)
Current consumption	max. 6.0 A max. 3.0 A max. 1.3 A max. 0.5 A
Operating temperature	-40°C to +85°C
Protection class	IP 6K7 and IP X5
Service life	100,000 cycles (ECE-R28)
Housing material	Metal
Type approval	ECE-R28*

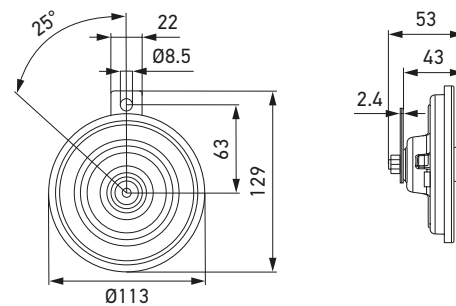
* ECE-R28 is only applicable for 12 V and 24 V horn.

Technical Drawing

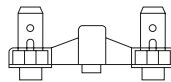
3AL 002 952-811 / -871



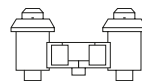
3BA 002 768-007 / -382 / -431 / -777 und 3BA 922 200-827



Connector



Drawing – connection A
6.3 mm flat plug, copper



Drawing – connection B
6.3 mm splashwater-proof copper flat plug in conjunction with rubber grommet (9GT 700 452-005)



Drawing – connection C
Splashwater-proof DEUTSCH plug DT 06-25

PROGRAM OVERVIEW

Product photograph	Description	Ø Diameter	Connection	Part number	Packaging unit
	12 V, 400 Hz, high tone	97 mm	A	3AL 002 952-811	1
	24 V, 335 Hz, low tone	97 mm		3AL 002 952-871	1
	24 V, 335 Hz, low tone	113 mm		3BA 002 768-382	1
	24 V, 400 Hz, high tone	113 mm		3BA 002 768-431	1
	24 V, 335 Hz, low tone	113 mm	C	3BA 922 200-827	24
	48 V, 335 Hz, low tone	113 mm	B	3BA 002 768-777	24
	80 V, 335 Hz, low tone	113 mm		3BA 002 768-007	24