



# BRIEF INFORMATION

## Rich Tone horn S92

- Ideal for all kinds of commercial vehicles
- Rich tone and effective signal sound for road safety
- Block coating protection on diaphragm and housing
- Practice-proven durability and service life

## PRODUCT FEATURES

### Application

Signal horns are a mandatory part of the safety equipment of a vehicle.

A particularly perceptible sound is necessary in order to be able to warn other road users efficiently in dangerous situations. Our signal horns offer you a high level of functional reliability.

### Design and function

Signal horns are powered by the battery current pulse, which is normally transmitted via a voltage pulse controlled by the steering wheel.

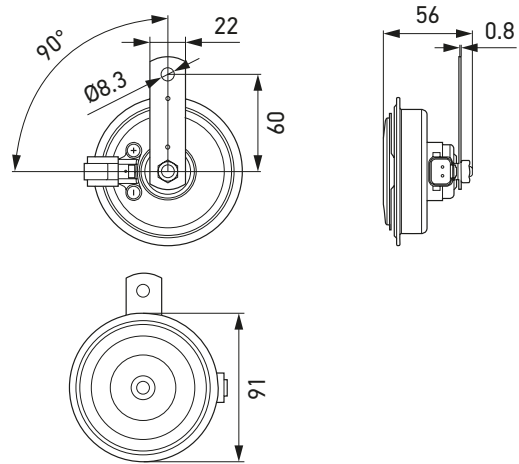
The current signal is sent to a relay, on which the the entire control current is transmitted so that no voltage dips occur. As the signal horn is powered by the electric current, a magnetic field is generated which attracts a metal core (shaft) together with a steel membrane. This magnetism causes vibrations that are converted by varying resonances to produce low or high tones.

# TECHNICAL DETAILS

## Technical data

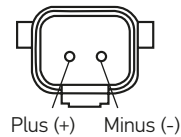
Diameter	92 mm
Nominal voltage	12 / 24 V
Frequency range	335 Hz (low tone) 435 Hz (high tone)
Sound pressure level @ 2 m	112 dB(A) ±5 dB(A)
Power consumption	60 W (12 V) 72 W (24 V)
Current consumption	5.0 A Max. (12 V) 3.0 A Max. (24 V)
Operating temperature	-40°C to +85°C
Protection class	IP 67
Service life	100,000 cycles (ECE-R28)
Housing material	Metal
Type approval	ECE-R28

## Technical drawing






## Pin assignment

Splashwater-proof "DEUTSCH" connector DT 06-25



# OVERVIEW OF VARIANTS

Product picture	Description	Part number	Packaging unit*
	24 V, 335 Hz, low tone	<b>3AL 012 588-097</b>	48
	24 V, 435 Hz, high tone	<b>3AL 012 588-087</b>	48
	12 V, 435 Hz, high tone	<b>3AL 012 588-117</b>	48

\* Single packaging on request.