



BRIEF INFORMATION

PS-Fix "Park Safety Fix"

- › Autonomous battery-supported power source enabling active illumination of trailer without towing vehicles using existing light system
- › Safe loading and unloading is thereby possible at all times, also without towing vehicles

PRODUCT FEATURES

- 24 V battery box for autonomous power supply of trailers
- Compact and simple design
- ECE-R10 Approval
- Intelligent load management ensures long battery life
- Increased warning effectiveness of parked trailer
- "Active safety" for trailer
- Enables lighting control even when trailer is decoupled
- Robust powder-coated metal housing for best corrosion protection
- Simple function control via illuminated push button
- Easy system integration into existing HELLA EasyConn wiring system

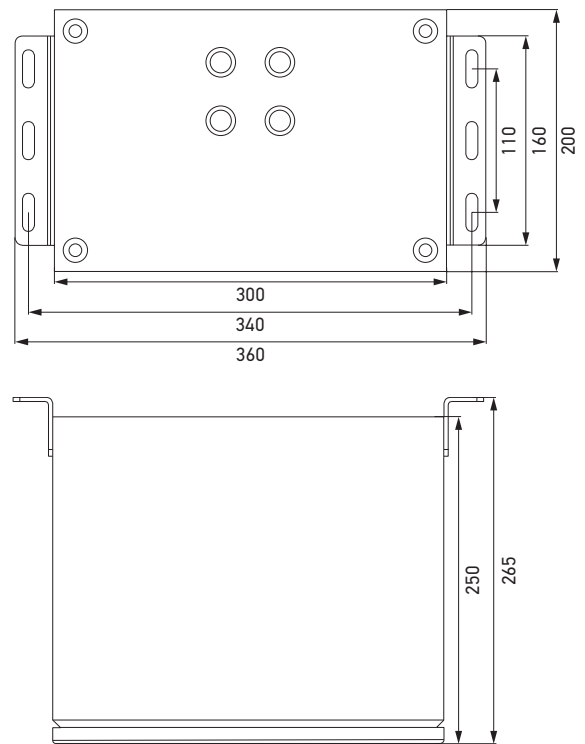


TECHNICAL DETAILS

Technical data

Rated voltage	24 V
Battery performance	18 Ah
Charge current	10 amps
Switching functions	Tail light, hazard warning signal and 2 x AUX steady plus
Material	Housing: powder-coated metal
Weight	approx. 22 kg
Protection class	IP 54
Approved	ECE-R10
Protection	Polarity reversal protection, overheating protection
Mounting	6-point screw mounting on left / right of housing for direct assembly to trailer frame
Connection	<ul style="list-style-type: none"> • 15-pin EasyConn pin housing for direct integration into HELLA cable system • 2-pin EC socket housing = AUX 1 • 2-pin SUPERSEAL pin housing = AUX 2
Manufactured in	Germany

Dimensional sketch



PROGRAM OVERVIEW

Article number	Description
8EN 340 355-001	Standard PS-Fix Box Battery box incl. control panel and control unit
8EN 340 355-201	Standard PS-Fix Box with ADR approval Battery box incl. control panel and control unit

