



BRIEF INFORMATION

RokLUME 155 TP

- Developed specifically for Mining applications
- Corrosion-free plastic housing for Heavy Duty use
- Very compact size

PRODUCT FEATURES

The RokLUME 155 TP compact is a robust worklight in a universal, attractive design. The innovative heat-conducting plastic housing also features cooling fins which ensure the required heat dissipation from the high-power LEDs. Along with weight reduction, the new material also offers the advantage of complete corrosion resistance.

The light output from the four high-power LEDs is an impressive 1,200 lumens. The light is distributed by a specially developed multi-faceted reflector, thus ensuring homogeneous illumination. Its energy consumption is just 15 watts of power.

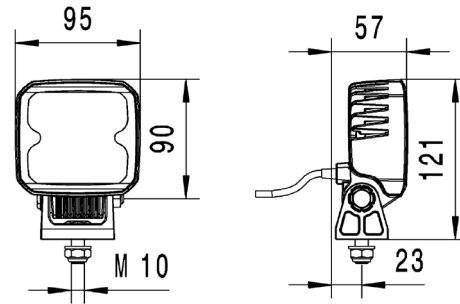
The HELLA Mining RokLUME 155 TP is available with two colour temperatures to meet the demands of different weather conditions. The standard version with a colour temperature of 5.000 Kelvin helps to distinguish colours more easily in the dark at normal conditions. Whereas at foggy or snowy conditions, the amber version with 1,800 is the perfect choice. The lower colour temperature minimizes the back scatter and increases the working comfort.

TECHNICAL DETAILS

Technical data

Operating voltage/ Rated voltage	9–32 V
Light source type	4 high-power LEDs
Power consumption	15 W
Light output	1,200 lm
Colour temperature	5,000 Kelvin 1,800 Kelvin (amber)
Protection class	IP 6K9K and IP 6K7
Type approval	Ⓔ, ECE-R10, RCM
Housing	Thermally conductive plastic
Weight	380 g

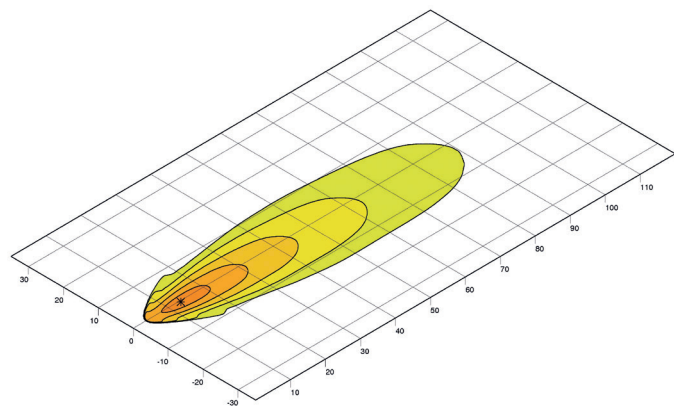
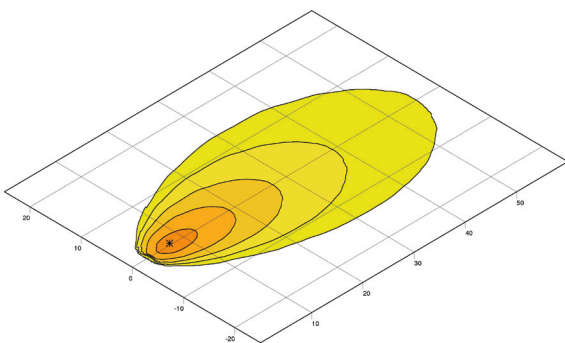
Dimensional sketch



RANGE OVERVIEW

	Worklight 1GA 996 284-...		
	051	061	071
Close-range illumination	X	–	X
Long-range illumination	–	X	–
Amber version	–	–	X
Mounting, upright	X	X	X
Mounting, pendant	X	X	X
Swivelling base/bracket width	42 mm	42 mm	42 mm
DEUTSCH connector	X	X	X
Connection	200 mm silicone cable + DT connector	200 mm silicone cable + DT connector	200 mm silicone cable + DT connector
Overheating protection	X	X	X
Polarity reversal protection	X	X	X

LIGHT DISTRIBUTION



Close-range illumination

Long-range illumination

