



BRIEF INFORMATION

RokLUME 140

- Ultra compact worklight
- Suitable for engine bays and inspection areas

PRODUCT FEATURES

With the RokLUME 140, HELLA now offers an ultra-compact worklight that achieves a high light output despite its size. A specially developed lens system concentrates the light and distributes it to the range of operation. The RokLUME 140 is the smallest worklight in the HELLA product range and is therefore particularly suitable for setups with little space.

At 800 lumens, the light output is well suited to close- and long-range illumination. Its power consumption of only 15 watts makes this worklight ideal for use on battery-powered vehicles or on vehicles where the alternator is already under a heavy load. The integrated electronics protect the device in the event of polarity inversion and guarantee constant brightness, even when operating with voltage fluctuations between 9 and 48 Volts. This ensures that the worklight stays functional and guarantees safe working at night.

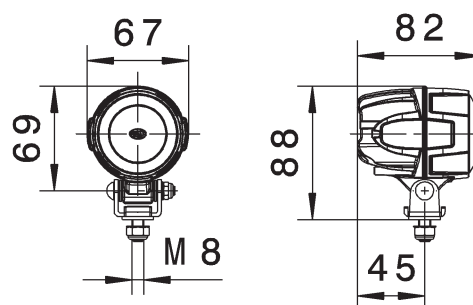
The worklight's black housing is made of aluminum and incorporates cooling fins. These ensure the necessary heat dissipation from the high-power multichip LEDs. Additionally, a temperature sensor protects the worklight from overheating. This is the only way the long service life of the LEDs can be exploited.

TECHNICAL DETAILS

Technical Data

Operating Voltage / Rated Voltage	9 – 48 VDC
Power Consumption	15 W
Light Output	800 lm
Colour Temperature	6,500 K
Protection	Against Reversal Polarity, Transient Spike and Over-Voltage
Protection Class	IP 6K9K, IP 6K7
Type Approval	ECE-R10, RCM, ADR / GGVSEB
Housing	High Quality Aluminum Housing for Mining Use
Connection	DT Connector

Dimensional Sketches



RANGE OVERVIEW

1G0 995 050	-001	-011	-021
Close-Range Illumination	X	X	-
Long-Range Illumination	-	-	X
Mounting, Upright	X	-	X
Mounting, Pendant	-	X	X