



## BRIEF INFORMATION

### RokLUME 190 TP

- Developed specifically for Mining applications
- Thermo Pro plastic housing
- Compact size with powerful light output

## PRODUCT FEATURES

The compact RokLUME 190 TP is an ideal LED work light that combines a powerful light output with a practical design. The work light is designed so that it can be used anywhere thanks to its compact dimensions. The innovative thermally conductive plastic housing also features cooling fins which ensure the required heat dissipation from the high-power LEDs. Along with weight reduction, the new material also offers the advantage of complete corrosion resistance.

The light output from the six high-power LEDs is an impressive 1,850 lumens. The light is distributed by a specially developed multi-faceted reflector, thus ensuring homogenous illumination. Models with varying cover lenses lend themselves either for close-range or long-range illumination, as required. Energy consumption is just 26 watts of power. Because of such low energy consumption, the RokLUME 190 TP is ideal for use in vehicles powered by batteries and in those where there are already significant demands on the alternator. The multivolt electronics of this headlamp are designed for vehicles with vehicle electric system voltage of 12 and 24 volt.

With a colour temperature of 5,000 kelvin, the light from the LED work light is very similar to daylight. This helps to distinguish colours more easily in the dark, and makes sensory perception through the human eyes much easier. In turn, this prevents the eyes from tiring quickly during work at night.

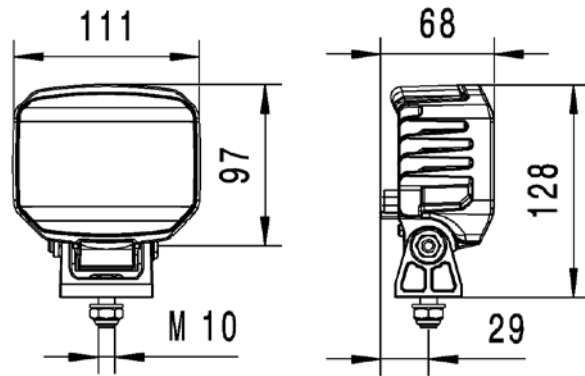
The integrated electronics protect the device in the event of polarity inversion and guarantee constant brightness, even when operating voltage fluctuates between 10,5 and 32 volts. Temperature sensors additionally protect the work light from overheating. Only in this way can the long service life of the LEDs and a safe working environment at night be guaranteed.

# TECHNICAL DETAILS

## Technical Data

Operating Voltage/Rated Voltage	10,5 – 32 V
Power Consumption	26 W
Light Output	1,850 lumens
Light Source Type	6 high-power LEDs
Colour Temperature	5,000 kelvin
Housing	Thermally conductive plastic
Mounting	Upright and pendant
Connection	DEUTSCH connector
Protection	Overheating, reversal polarity
Protection Class	IP 6K9K, IP 6K8
Type Approval	Ⓜ, ECE-R10, RCM, ADR/ GGVSEB
Weight	450 g
Manufactured in	Austria

## Dimensional Sketch

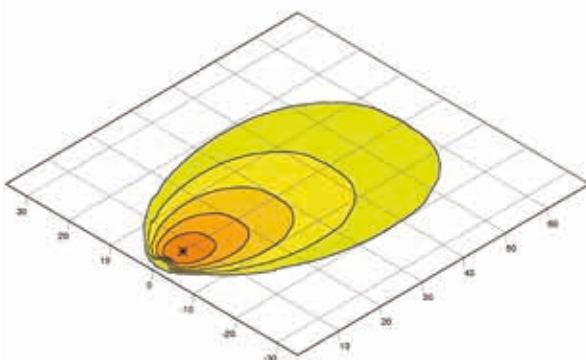


# RANGE OVERVIEW

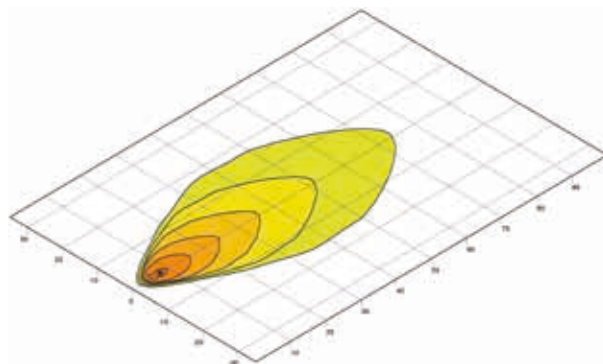
## 1GA 996 488-...

	-501	-511
Close-range illumination	X	-
Long-range illumination	-	X
Mounting	Glass-fibre reinforced plastic bracket	
Swivelling base / bracket width	42 mm	42 mm

# LIGHT DISTRIBUTION



Close-range illumination



Long-range illumination

lux >= 0  1  2  4  8  16