



BRIEF INFORMATION

UltraRAY 2.0 (rotating version)

UltraRAY 2.1 (flashing version)

- Rotating or flashing LED light function
- Double lighting system
- Large light exit area
- Long service life

PRODUCT FEATURES

Light function

An innovative electronic concept offers a rotating or a flashing LED light function – without moving parts.

Shockproof

The shockproof dome made of polycarbonate guarantees especially reliable protection from shocks.

Interference-free

EMC resistance ensures that the UltraRAY 2.0 / 2.1 causes no interference.

Double lighting system

The double lighting system in the UltraRAY 2.0 / 2.1 increases the light exit area, so producing an especially strong warning effect.

TECHNICAL DETAILS

Technical data	
Rated voltage (U _N)	Multivolt
Operating voltage (U _o)	10–30 V
Total current consumption	Approx. 1.6 A (12 V), approx. 0.8 A (24 V)
Rotating	Approx. 1.8 A (12 V), approx. 0.9 A (24 V)
Flashing	
Power consumption	
Rotating	Approx. 20 W
Flashing	Approx. 22 W
Dome	Polycarbonate
Operating position	Upright
Temperature range	-40 °C to +60 °C
Polarity reversal protection	yes
Installation	Ø 130 mm Ø 150 mm (SAE)
Degree of protection	IP 6K7, IP 6K9K
EMC	ECE R10, RCM
SAE	SAE J845 class 1

Type approval

UltraRAY 2.0 rotating

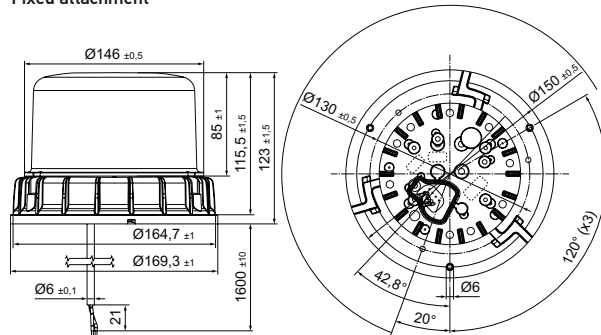
Lighting technology homologation, amber	TA1		R65 004439
Lighting technology homologation, blue	TB1		R65 004440
Lighting technology homologation, red	TR1		R65 004441

UltraRAY 2.1 flashing

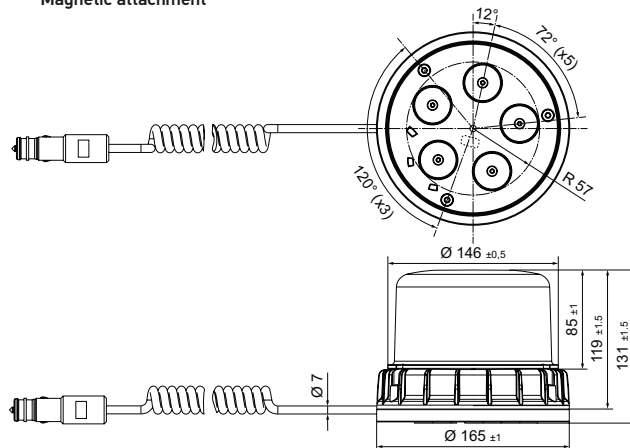
Lighting technology homologation, amber	TA1		R65 004442
Lighting technology homologation, blue	TB1		R65 004443
Lighting technology homologation, red	TR1		R65 004444

Dimensioned sketches

Fixed attachment



Magnetic attachment



RANGE OVERVIEW



Product picture	Part number Rotating	Part number Flashing	Description
	2RL 012 983-001	2XD 012 984-001	UltraRAY 2.0 fix, amber UltraRAY 2.1 fix, amber
	2RL 012 983-011	2XD 012 984-011	UltraRAY 2.0 fix, blue UltraRAY 2.1 fix, blue
	2RL 012 983-021	2XD 012 984-021	UltraRAY 2.0 fix, red UltraRAY 2.1 fix, red
	2RL 012 983-031	2XD 012 984-031	UltraRAY 2.0 fix, green UltraRAY 2.1 fix, green
	2RL 012 983-041	2XD 012 984-041	UltraRAY 2.0 fix, white UltraRAY 2.1 fix, white
	2RL 012 983-101	2XD 012 984-101	UltraRAY 2.0 magnet, amber UltraRAY 2.1 magnet, amber
	2RL 012 983-111	2XD 012 984-111	UltraRAY 2.0 magnet, blue UltraRAY 2.1 magnet, blue
	2RL 012 983-121	2XD 012 984-121	UltraRAY 2.0 magnet, red UltraRAY 2.1 magnet, red
	2RL 012 983-131	2XD 012 984-131	UltraRAY 2.0 magnet, green UltraRAY 2.1 magnet, green
	2RL 012 983-141	2XD 012 984-141	UltraRAY 2.0 magnet, white UltraRAY 2.1 magnet, white