



BRIEF INFORMATION

RokLUME 280N Gen. 2

- New **ZEROGLARE** reflector
- Improved light patterns and extended illumination variants
- Centred bracket enables different mounting options
- Heavy duty bracket for high vibration requirements
- Compact size suitable for all mining machinery

PRODUCT FEATURES

Drivers of heavy duty vehicles depend on strong visual cues to see the fall of ground or to avoid hazards well in advance. Here choosing the correct light is a critical asset for reaction time and safety.

The RokLUME 280N Gen. 2 LED work lamp has a very high light output of up to 5,000 lumen. It gives the perception of daylight, which helps to provide higher productivity by giving drivers enhanced visibility.

The variant **ZEROGLARE** has been designed with a new reflector and optical system which improves its illumination. This means its innovative light system creates a horizontal cut-off line to control the light onto the ground in front of the vehicle. The cut-off line eliminates the danger caused by glaring light coming into contact with the eyes of oncoming drivers.

The RokLUME 280N Gen. 2 comes in six illumination variations, each work lamp has its specific working environment. The close-range variant has been improved to give more light in the width and the front of the vehicle. The long-range variant has a highly improved light distribution for optimal visibility in the distance. New and innovative is the variant with tunnel flood illumination – this work lamp creates a perfect light pattern for underground heavy duty vehicles.

The housing of the RokLUME 280N Gen. 2 is made of high quality die-cast aluminium with a corrosion resistant NanoSafe coating. The work lamp can be securely mounted by the heavy-duty bracket in three mounting positions: upright, pendant and horizontal.

Additionally, variants with coloured lenses in green and amber are ideally suited to combat reflective environments such as fog, falling snow or dust-laden air – this makes the RokLUME 280N Gen. 2 an absolut allrounder.

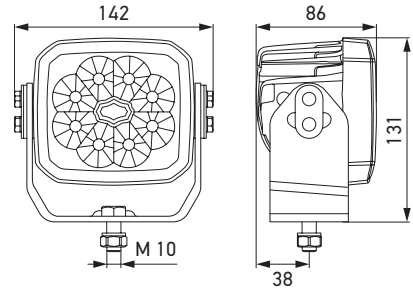
TECHNICAL DETAILS



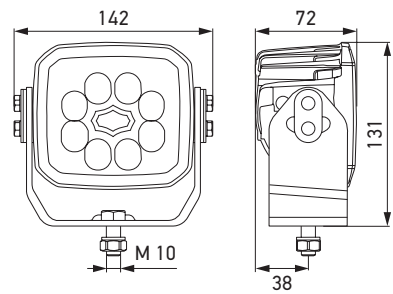
Technical data

Operating voltage	Multi-voltage (9 – 32 V)
Rated voltage	12 V / 24 V
Current consumption	Ø 3.85 A (12 V) Ø 1.86 A (24 V)
Power consumption	Ø 46 W (12 V) Ø 45 W (24 V) max. 50 W
Light output	up to 5,000 lm
Light source	LED
Colour temperature	5,000 K
Material	Housing: die-cast aluminium with NanoSafe non-stick / easy to clean surface coating Cover lens: hard-coated plastic
Weight	up to 1,430 g
Temperature range	- 40 °C to +85 °C (overheat protected)
Protection class	IP 6K9K, IP 6K8
Type approval	Work lamps: ECE-R10, UKCA, RCM Auxiliary headlamp: ECE-R149 Class B, ECE-R10, UKCA, RCM
EMC protection	CISPR 25
Salt spray resistance	1,200 h as per DIN EN ISO 9227
Mounting	Upright, pendant and horizontal
Connection	DEUTSCH DT 2 pin connector, DEUTSCH DT counterpart included
Manufactured in	Austria

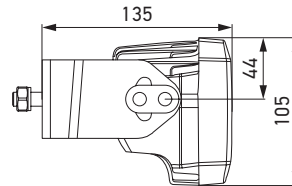
Dimensional sketch



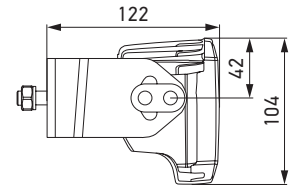
RokLUME 280N Gen. 2



RokLUME 280N Gen. 2 **ZEROGLARE**

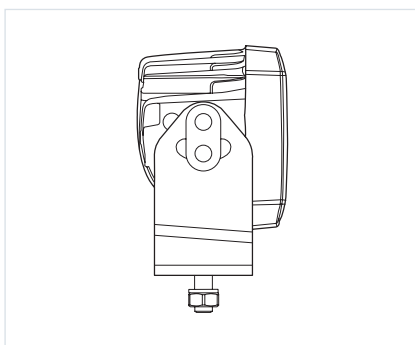


RokLUME 280N Gen. 2
(horizontal mounting)

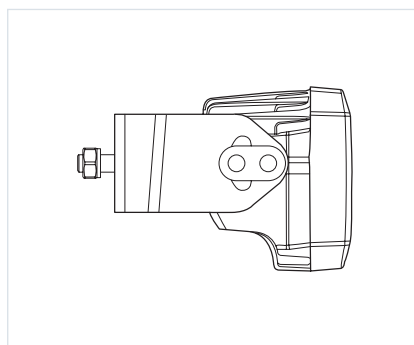


RokLUME 280N Gen. 2 **ZEROGLARE**
(horizontal mounting)

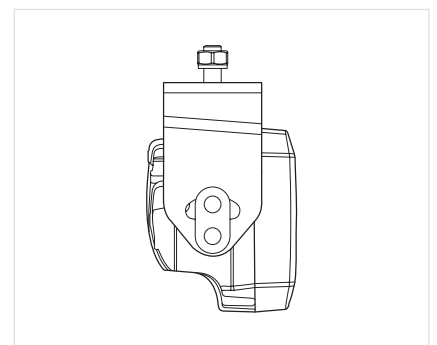
Mounting options



Upright mounting



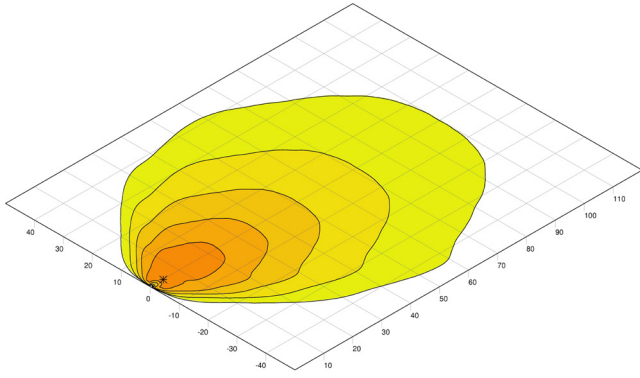
Horizontal mounting



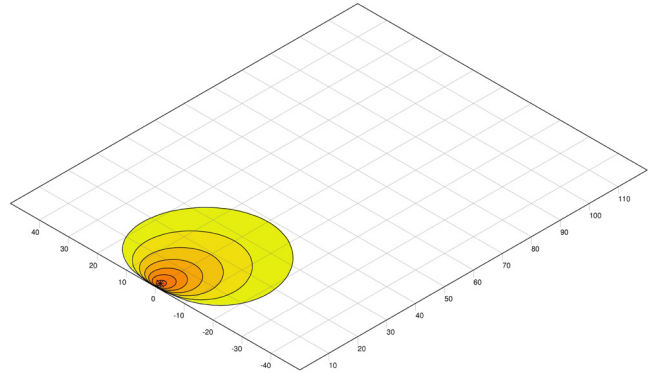
Pendant mounting

LIGHT DISTRIBUTION

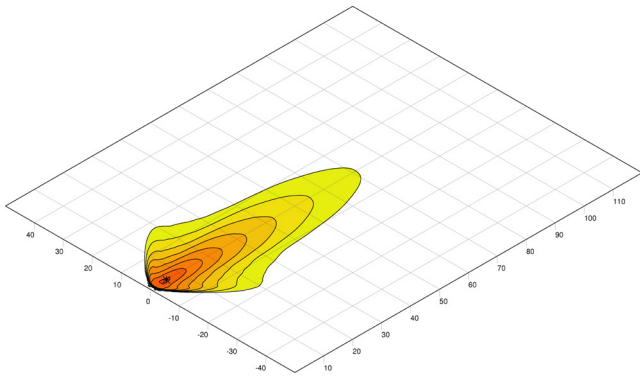
WORK LAMPS



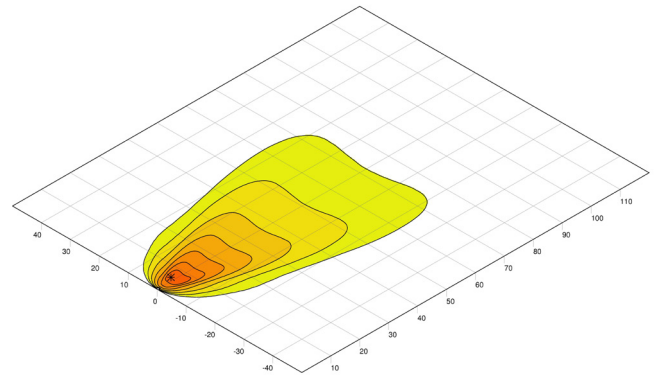
Close-range illumination



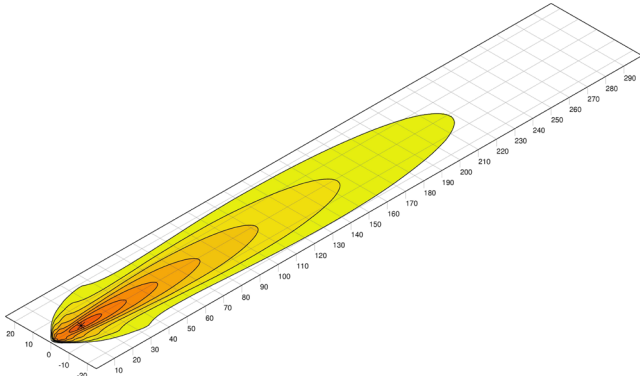
Diffuse flood illumination



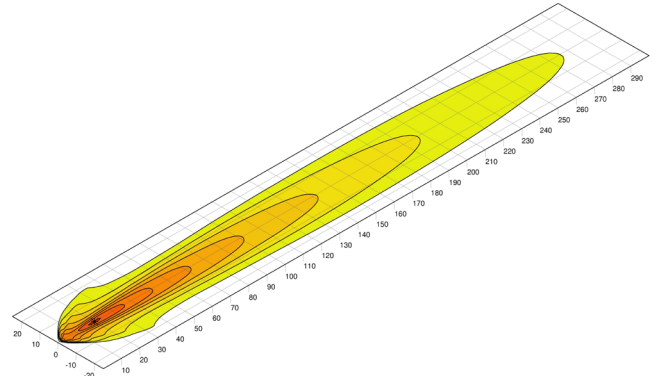
ZEROGLARE illumination



Tunnel flood illumination



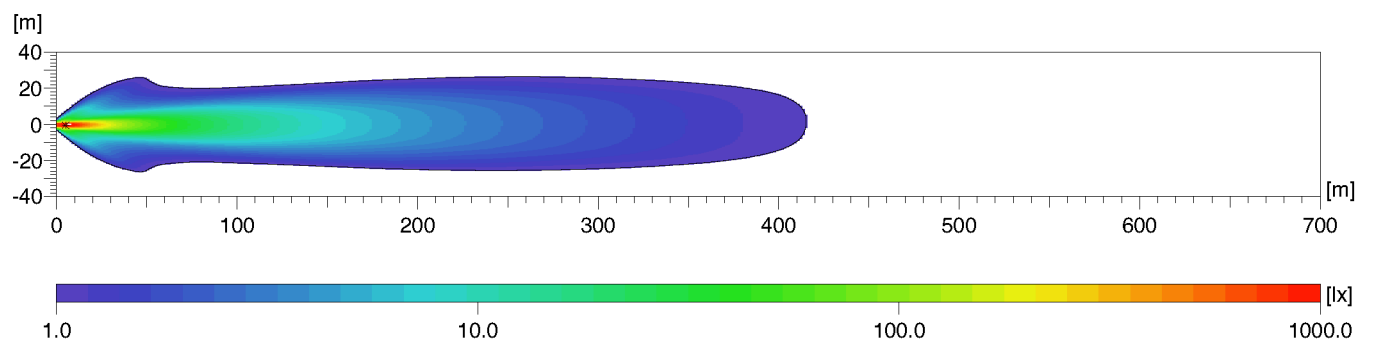
Long-range illumination



Pencil beam illumination

lux >= 0 1 2 4 8 16 32 64

AUXILIARY HEADLAMP



High beam with reference number 22.5
The light distribution shows 2 active high beam headlamps.

PROGRAM OVERVIEW

WORK LAMPS

Cover lens colour	Illumination	Part number
Clear	Close-range illumination	1GA 995 706-501
	Long-range illumination	1GA 995 706-511
	ZEROGLARE illumination	1GA 995 706-521
	Pencil beam illumination	1GA 995 706-531
	Tunnel flood illumination	1GA 995 706-551
Diffused	Diffuse flood illumination	1GA 995 706-541
Green	Close-range illumination	1GA 995 706-571
	Long-range illumination	1GA 995 706-581
	ZEROGLARE illumination	1GA 995 706-591
	Pencil beam illumination	1GA 995 706-601
Amber	Close-range illumination	1GA 995 706-631
	Long-range illumination	1GA 995 706-641
	ZEROGLARE illumination	1GA 995 706-651
	Pencil beam illumination	1GA 995 706-661

AUXILIARY HEADLAMP

Light function	Reference number	Part number
High beam	ECE Ref. 22.5	1FA 995 706-561

Ref. 22.5:

The reference number (Ref.) is a value that refers to high beam headlamps. Under ECE regulations, this reference number may not exceed the upper limit of 100 per vehicle. This figure includes the two values for the standard high beam (left and right headlamp) plus those of any other high beam headlamps that are mounted. The appropriate value is engraved on the cover lens of each approved headlamp.